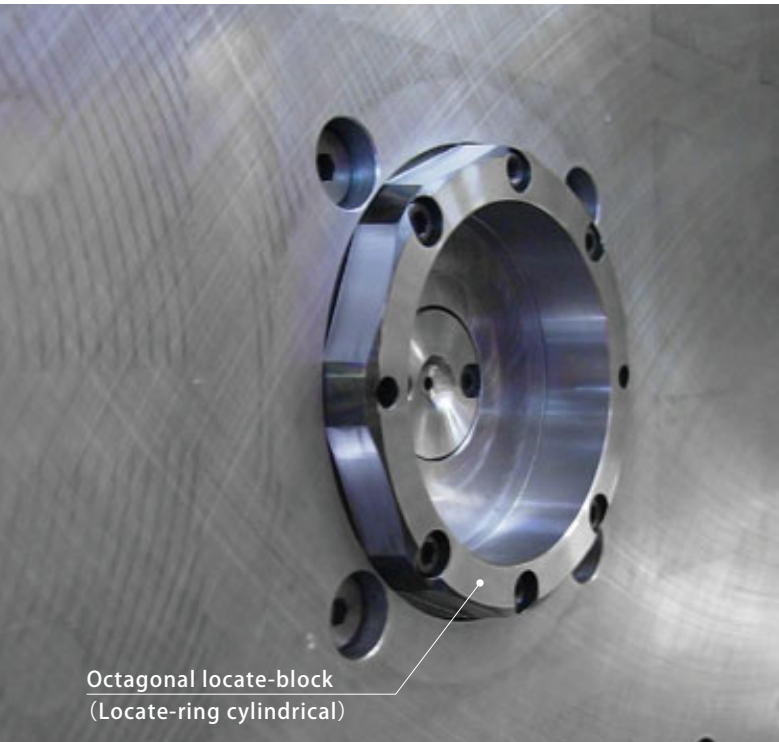


### Mold positioning for insert / hoop molding

For improvement of mold set-up time.

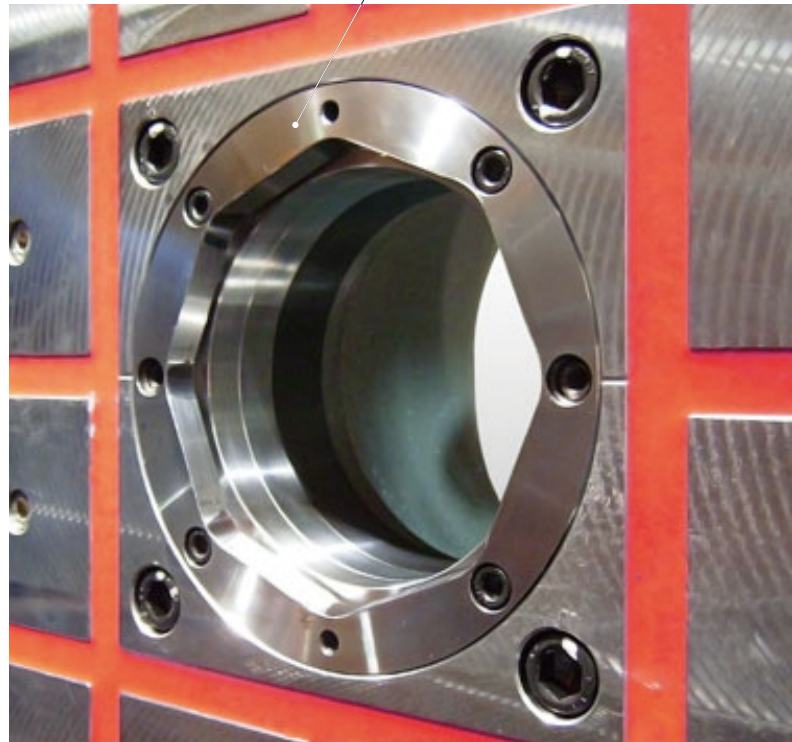
The use of octagonal locate-ring (octagonal taper cone) provides easy positioning, eliminating need for retraining of robot.

Mold side

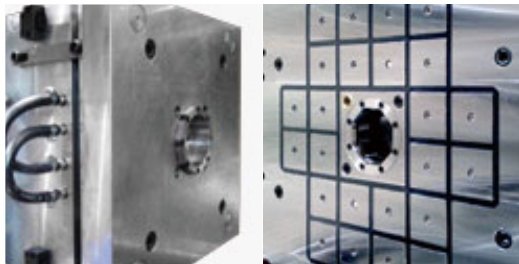


Octagonal locate-block  
(Locate-ring cylindrical)

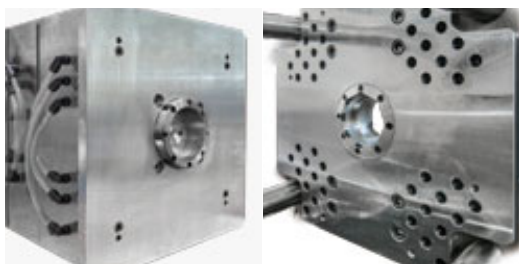
Fixed platen side



Octagonal locate-ring  
(Base)



1,800kN (180ton) IMM vertical loading  
Octagonal locate-ring & Mag clamp



500kN (50ton) IMM vertical loading  
Octagonal locate-ring

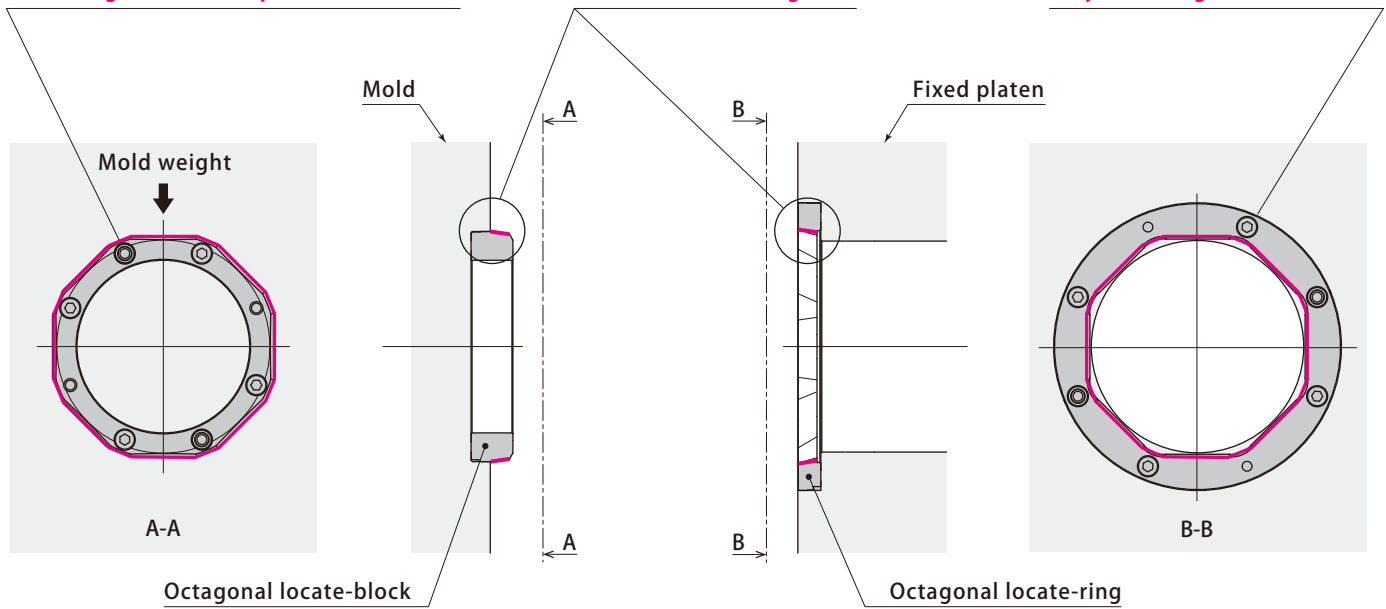


500kN (50ton) Vertical IMM  
Octagonal locate-ring (positioning for upper mold)  
& Rollers

High rigidity can be obtained by receiving mold weight with multiple faces.

Taper allows easy mold setting

Restrained 8-faces can provide easy centering.



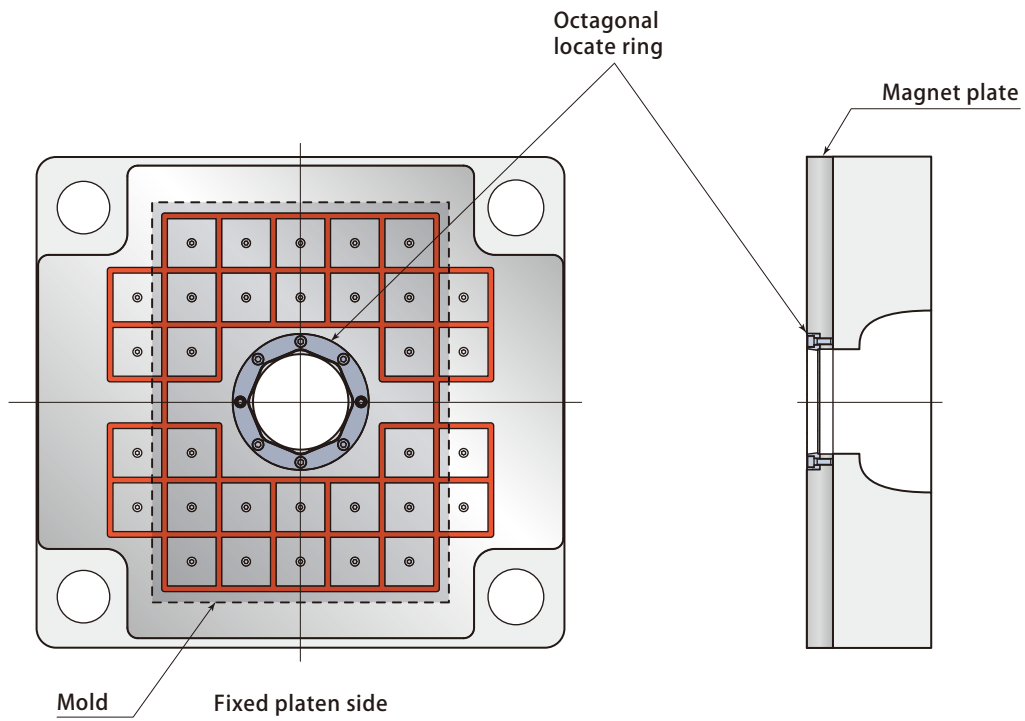
Octagonal locate-block



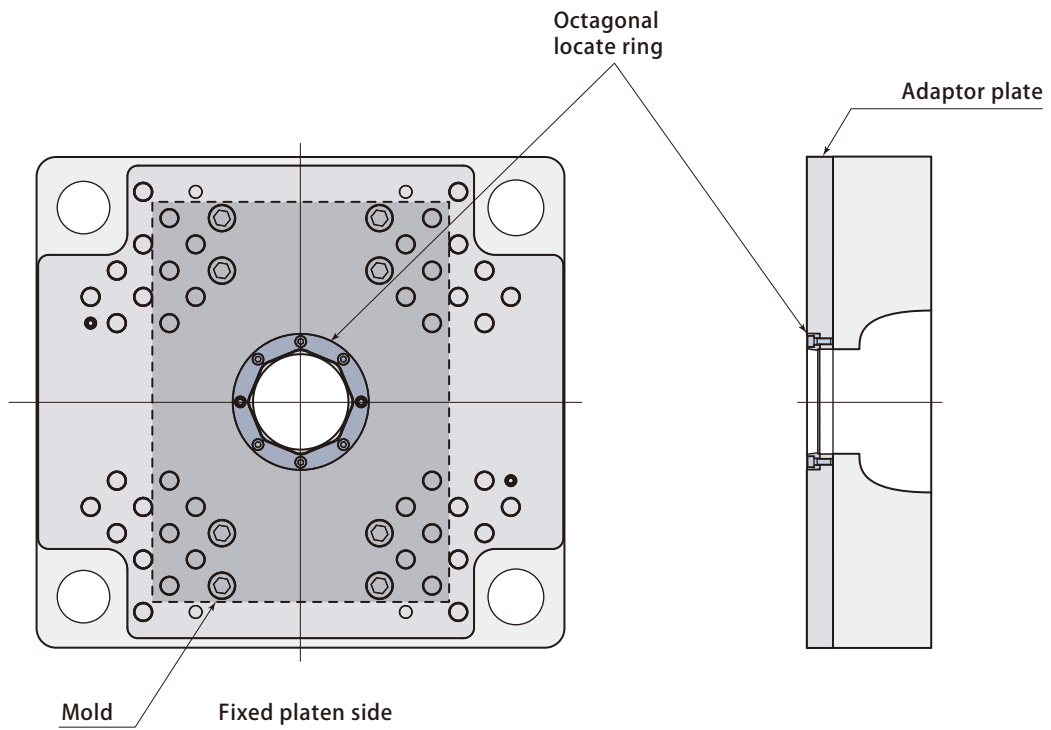
Octagonal locate-ring

Model		MCL070	MCL100	MCL120
Ring size	mm	70 equivalent	100 equivalent	120 equivalent
Applied IMM	Clamping force	kN (ton)		
	Loading direction	Up to 2000 (200)		
		Vertical loading, Vertical IMM		

Mag clamp & Octagonal locate ring  
(When the ring mounted in magnet plate)



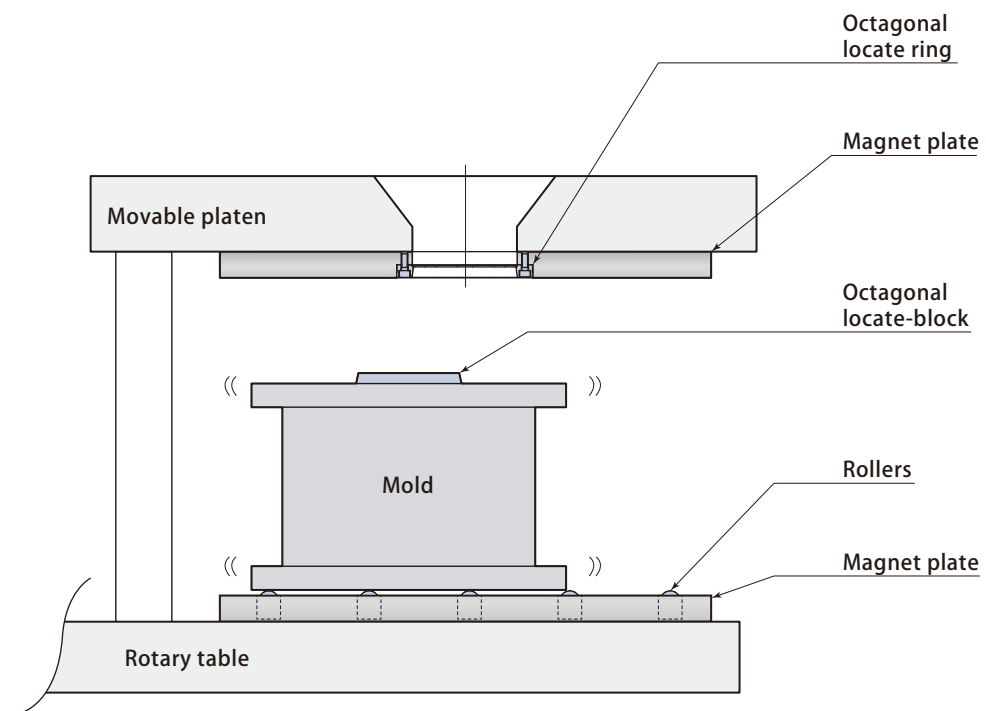
Adaptor plate & Octagonal locate ring  
(When using a automatic clamp or a manual clamp)



- Positioning can easily be completed by sliding the mold on rollers checking visually the alignment of mounting the octagonal locate block and the octagonal locate ring. (On the basis of upper side)
- It can eliminate positioning the mold by pushing to a parallel pin as positioning block.

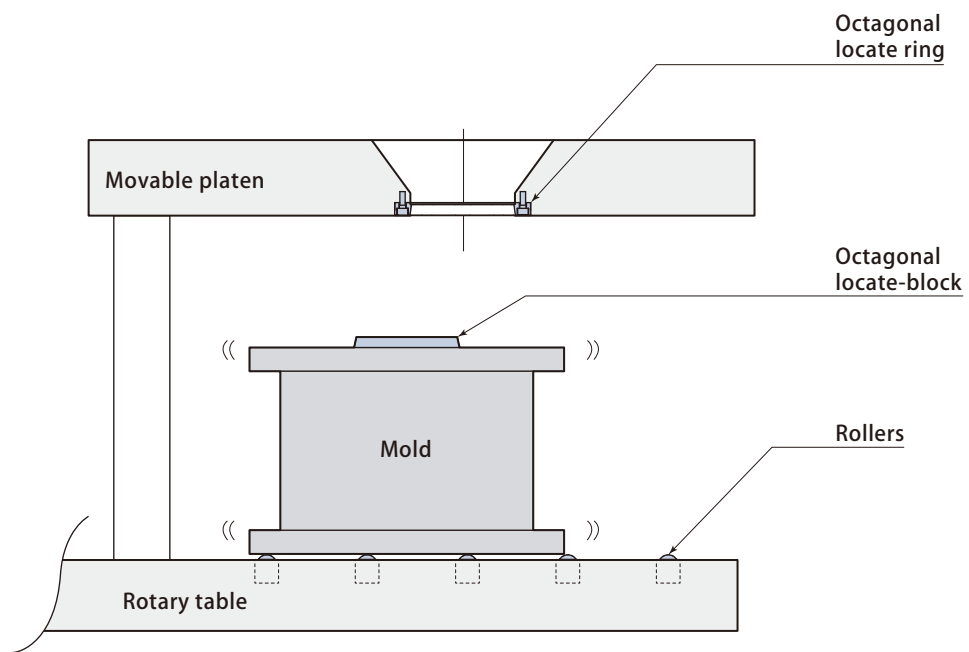
### Mag clamp & Octagonal locate ring & Rollers

(When the ring mounted in magnet plate)



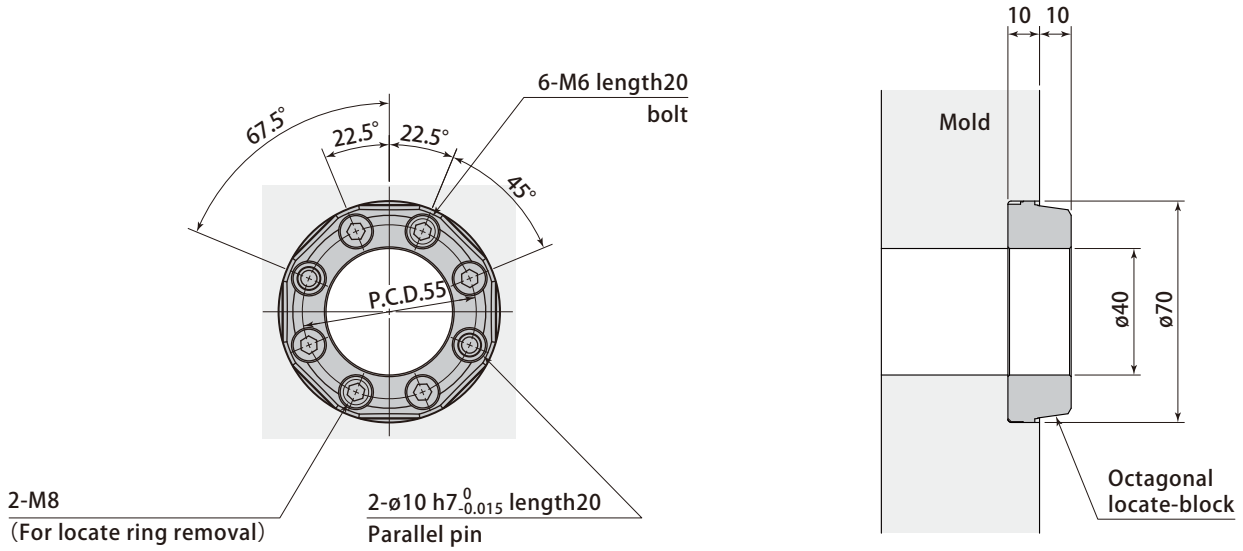
### Octagonal locate ring & Rollers

(When using a automatic clamp or a manual clamp)

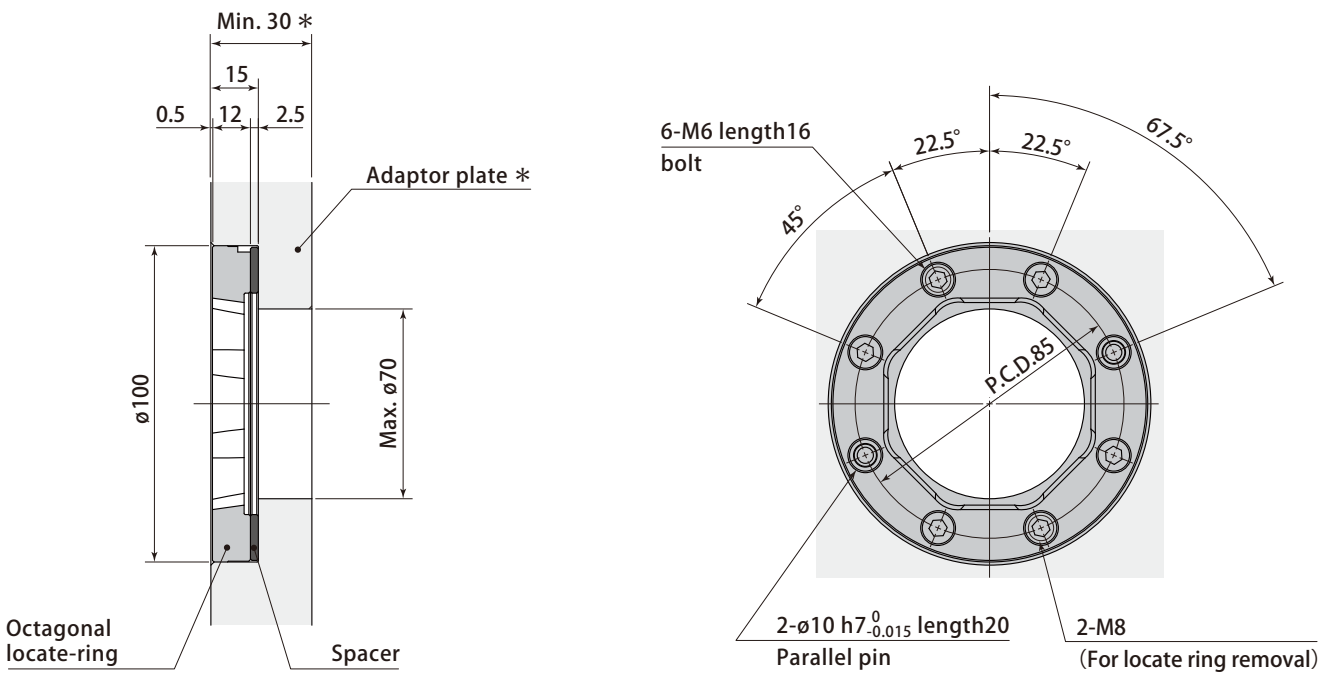


Dimensions

Octagonal locate-block  
(MCL070P)



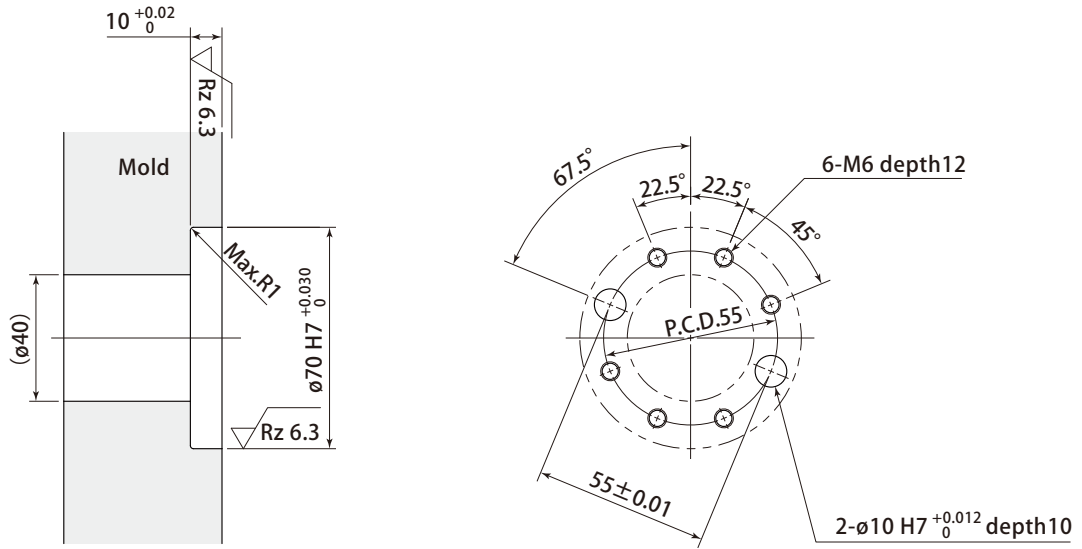
Octagonal locate-ring  
(MCL070S)



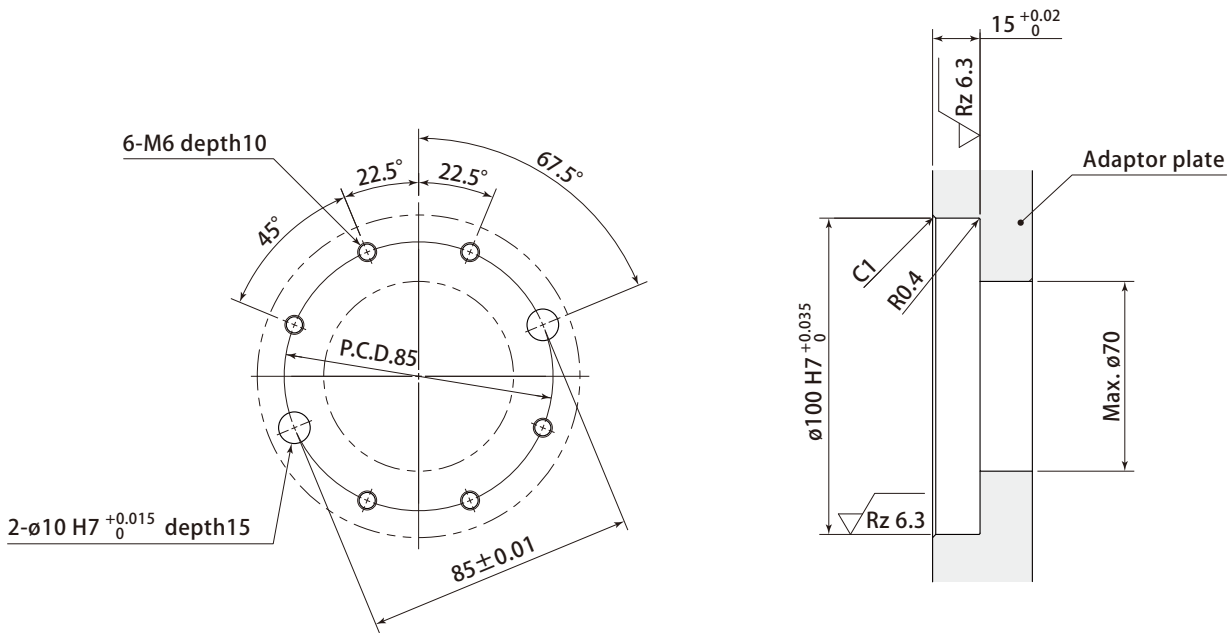
The adaptor plate thickness should be over 30mm when it is mounted on the plate.

Mounting details

Octagonal locate-block  
(MCL070P)



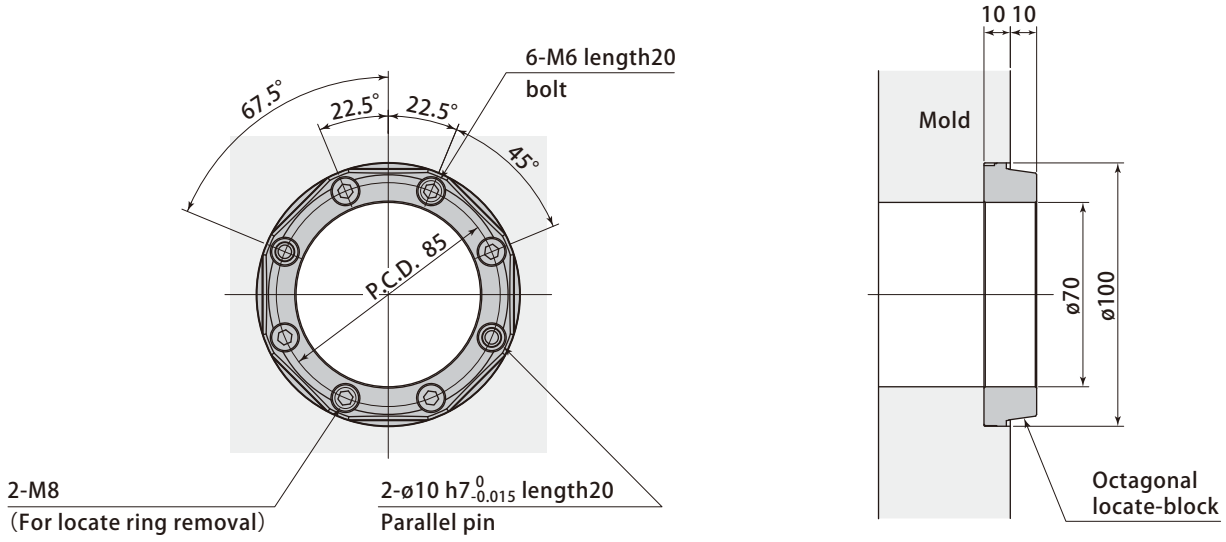
Octagonal locate-ring  
(MCL070S)



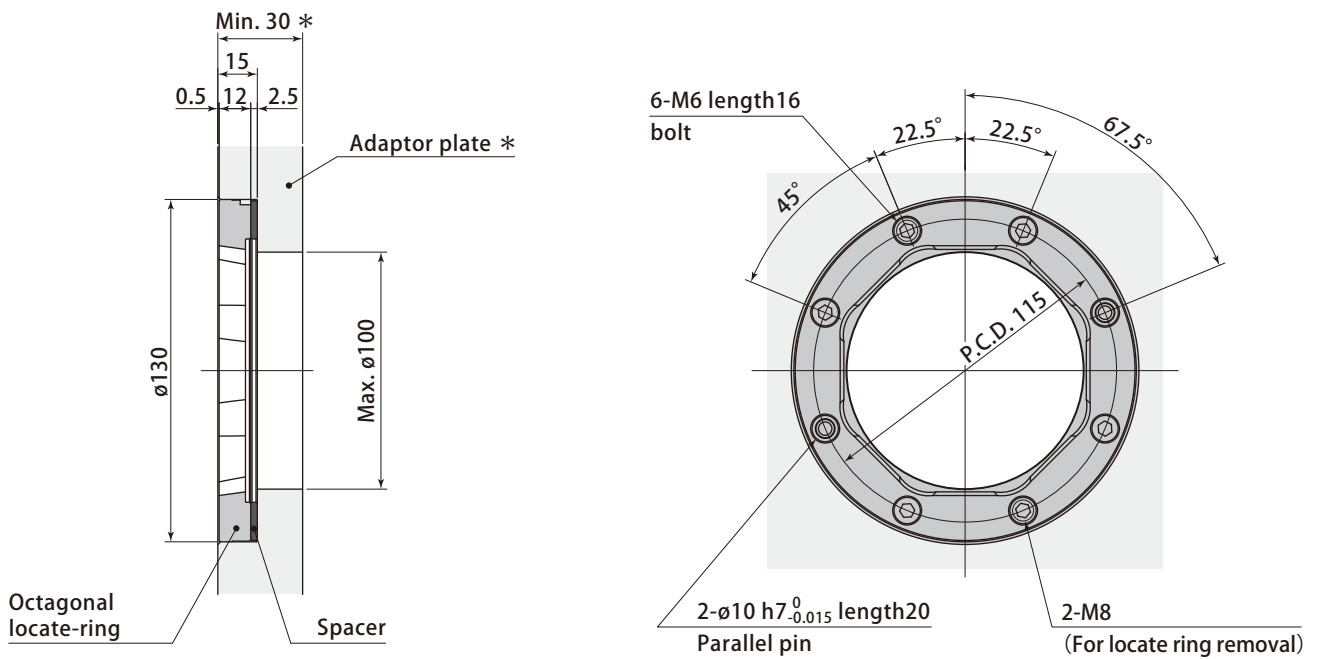


Dimensions

Octagonal locate-block  
(MCL100P)



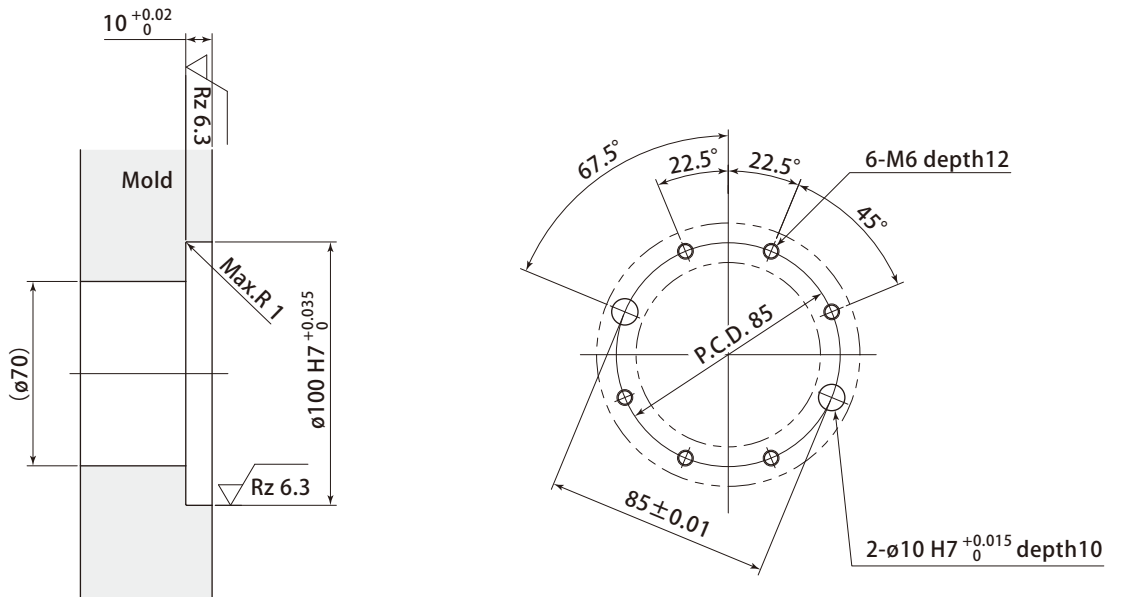
Octagonal locate-ring  
(MCL100S)



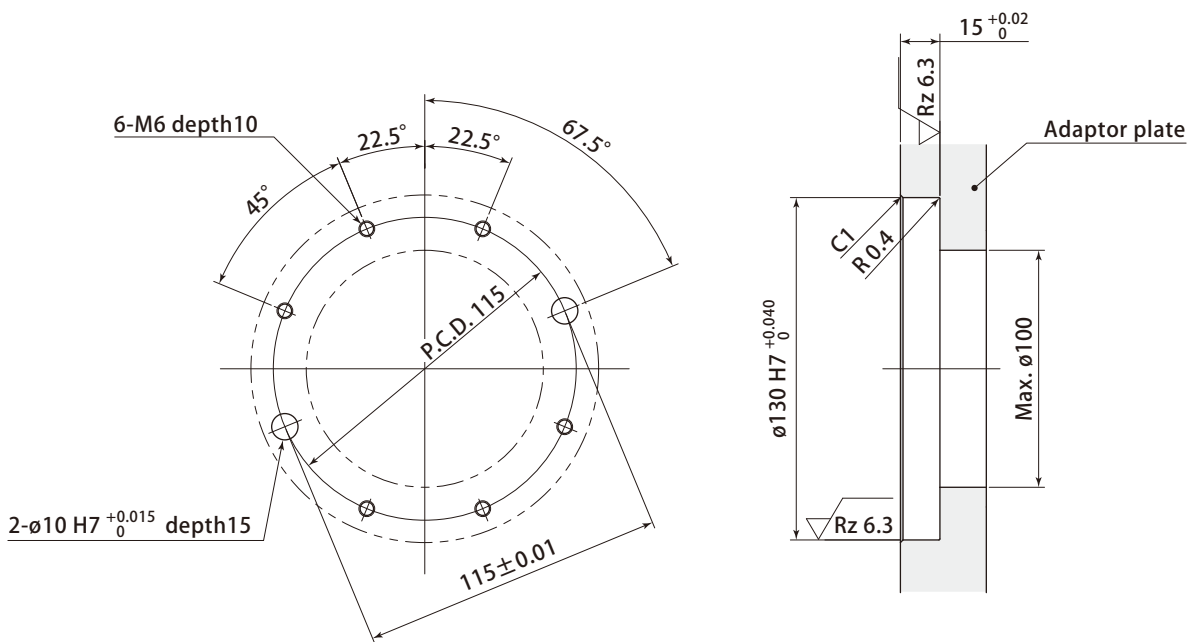
The adaptor plate thickness should be over 30mm when it is mounted on the plate.

Mounting details

Octagonal locate-block  
(MCL100P)



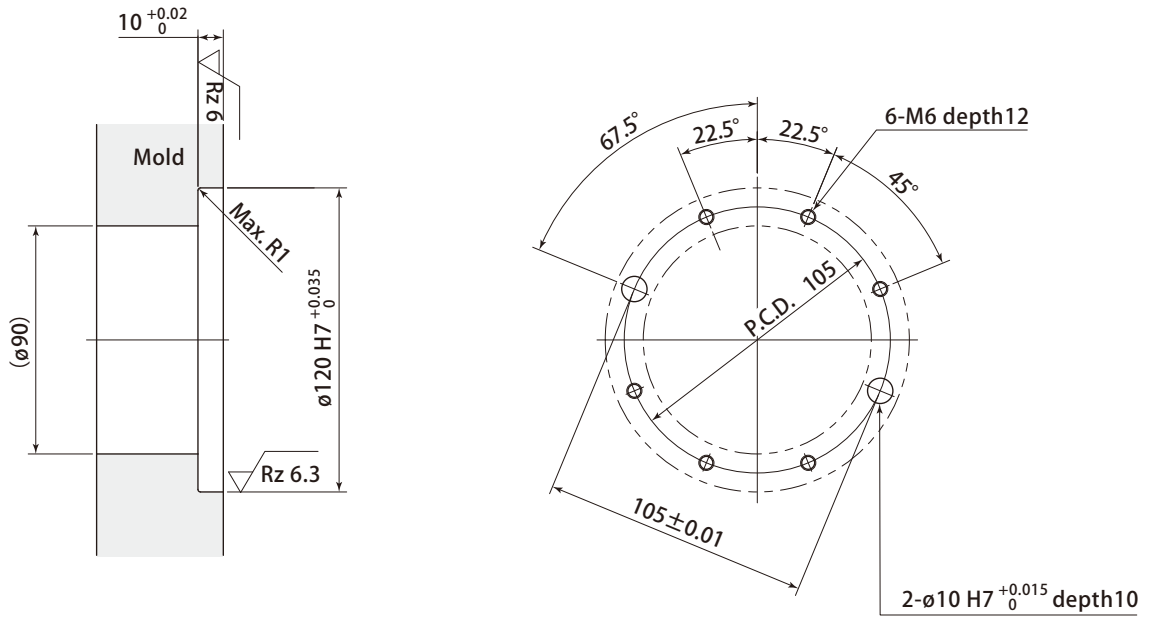
Octagonal locate-ring  
(MCL100S)





Mounting details

Octagonal locate-block  
(MCL120P)



Octagonal locate-ring  
(MCL120S)

