

Applied for large sized IMM with the ejector stroke more than 300mm.

The ejector rod can be installed and removed at one-touch operation owing to the ball lock structure.



Model designation

Fixed rod

MEL **26** F **120** M **16** **25**

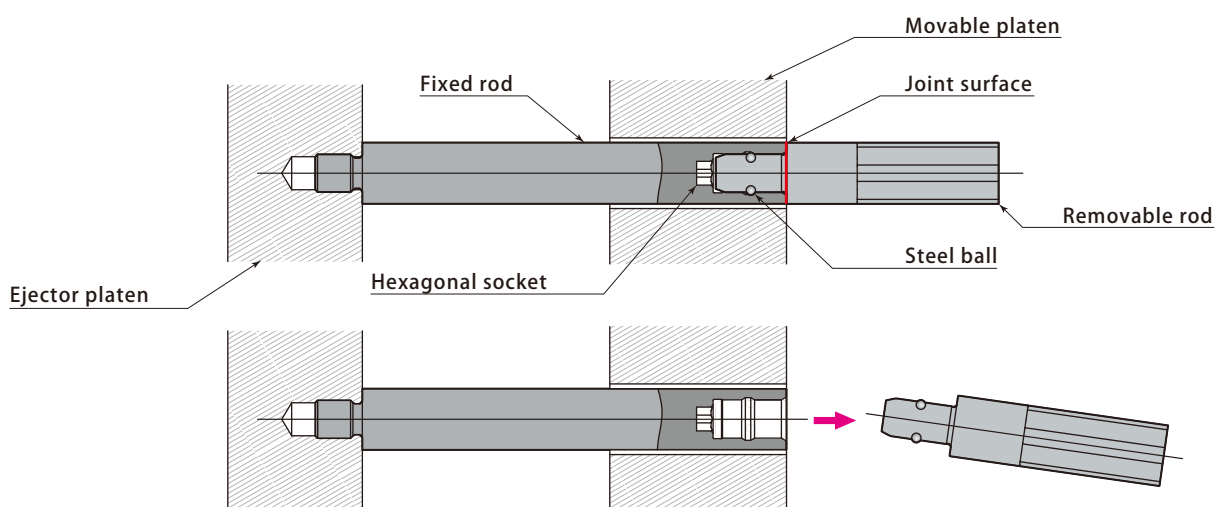
- 1 Rod diameter •
26 : $\phi 26$ mm 40 : $\phi 40$ mm
- 2 Length of fixed rod •
- 3 Thread size •
- 4 Thread length •

Removable rod

MEL **26** R **070**

- 1 Rod diameter •
26 : $\phi 26$ mm 40 : $\phi 40$ mm
- 5 Length of removable rod •

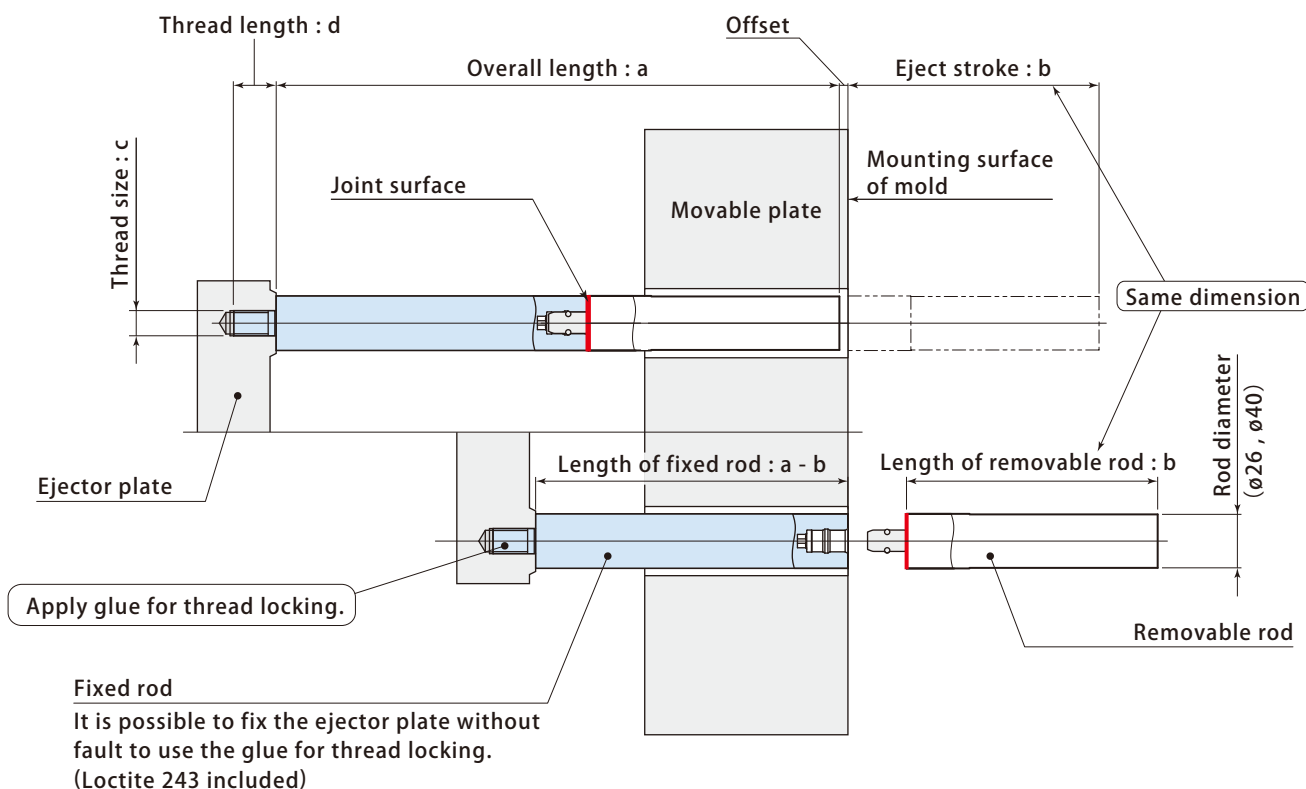
2 3 4 5 Refer to page → 116



Model		MEL26	MEL40
Rod diameter	mm	$\phi 26$	$\phi 40$
Applied IMM	Clamping force	kN (ton)	13000 (1300) or less
	Loading direction		Vertical loading, Horizontal loading

Rod dimensions

An existing ejector rod can be used with Ball lock ejector rod.
Then Ball lock ejector rod can be used immediately .



- Upon confirming machine model or above dimensions (a,b,c,d), Pascal will calculate rod dimensions.
- If special specification is required, please contact Pascal.
- In case the inclination angle of fixed rod is large, the load for joint surface causes some damage. Contact Pascal for details.

Fixed rod

Model	MEL26F	MEL40F
Rod diameter mm	ø26	ø40
Length of fixed rod : a - b mm	120 and over	

- The length of fixed rod is different from the Easy ejector rod.

Removable rod

Model	MEL26R	MEL40R
Rod diameter mm	ø26	ø40
Eject stroke : b (Length of removable rod) mm	70 ~ 350	70 ~ 350



Fixed rod Jig rod

Model	MEJ26T	MEJ40T
Rod diameter mm	ø26	ø40

- Mounting jig has the same specification as the Easy ejector.
- Mounting jig must be purchased as a set. Jig rod can be used repeatedly .