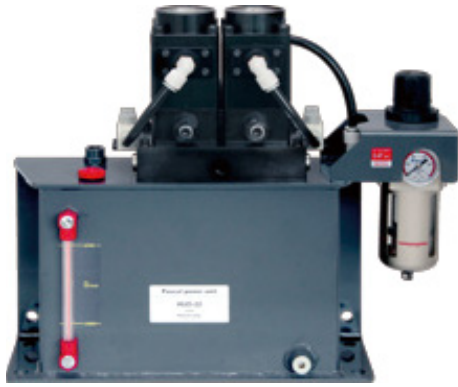

Power unit

model **HUD**

Data sheet

Pascal
www.pascaleng.co.jp



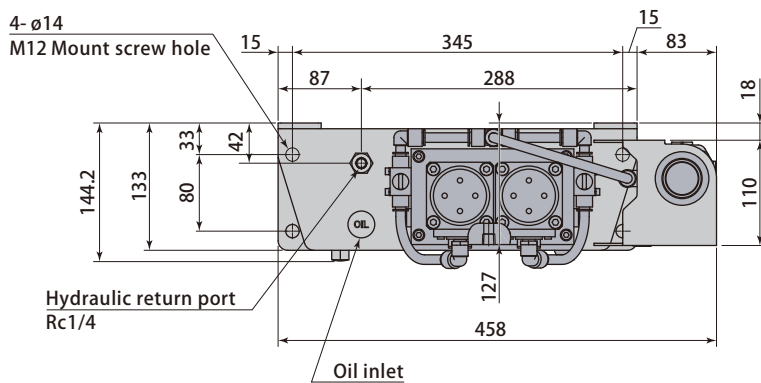
Model designation

HUD-22

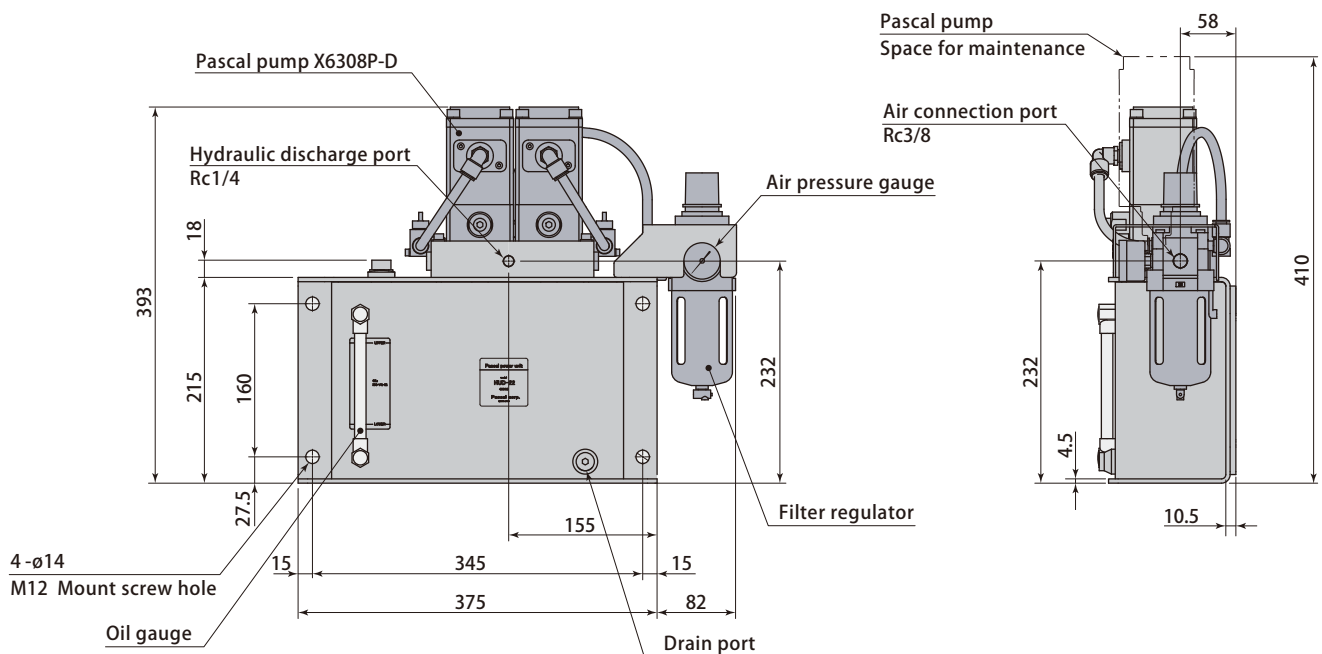
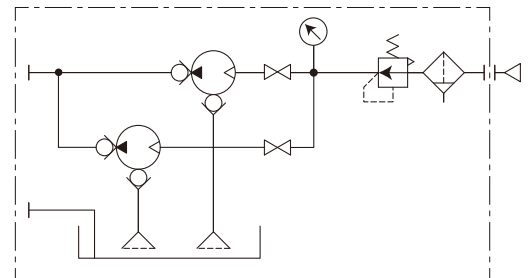
Specifications

| Model | HUD-22 | |
|-------------------------------|----------------------|------------------------------------|
| Number of pumps | 2 | |
| Discharge pressure | MPa | 24.5 |
| Driving air pressure | MPa | 0.47 |
| Discharge volume (at no load) | L/min | 2.6 |
| Oil tank capacity | L | HIGH-LEVEL : 4.8 / LOW-LEVEL : 1.9 |
| Air consumption rate | Nm ³ /min | Max. 0.8 |
| Weight (without oil) | kg | 22 |

- Fluid used : General mineral based hydraulic oil (ISO-VG32 equivalent)
- Operating temperature : 0 ~ 60°C (No frozen)



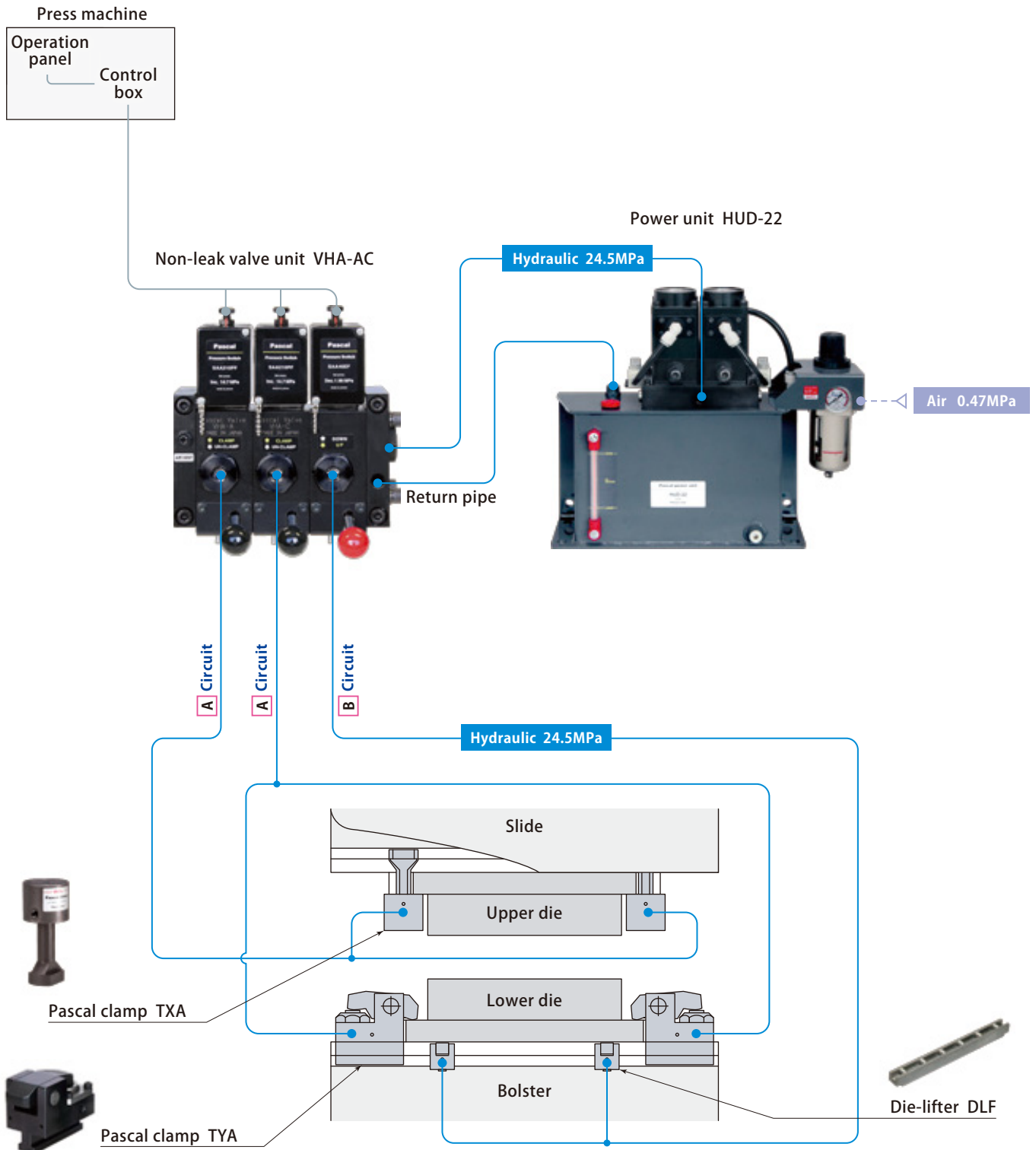
Circuit diagram



A C Circuit

(**C** = **A** + **B** Circuit)

| Number of hydraulic circuits | | |
|------------------------------|-------------|------------|
| Upper clamp | Lower clamp | Die-lifter |
| 1 | 1 | 1 |



Pascal

corporation

Itami, Hyogo, Japan 664-8502
TEL. 072-777-3333 FAX. 072-777-3520



CERTIFICATE OF APPROVAL ISO9001