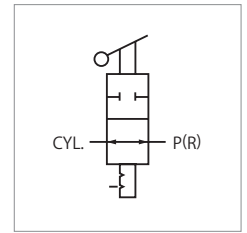
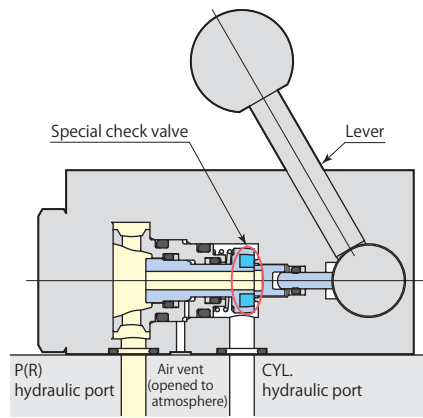


VHB-H□**2-way valve****25MPa**2-way valve model **VHB**

Activates work clamps in one circuit individually by manual handling.

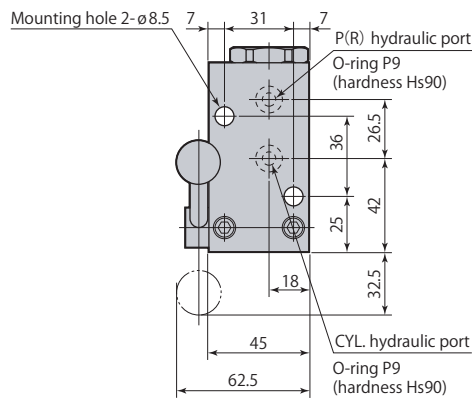
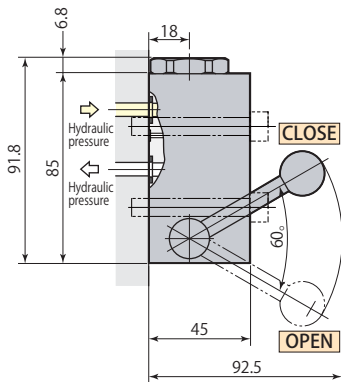
Specifications

Model		VHB-HG	VHB-HT
Mounting, piping methods		Manifold mounting	Piping mounting
Pressure range	MPa	7-30	
Proof pressure	MPa	37.5	
Orifice area	mm ²	15.9	
Operating temperature	°C	0-70	
Fluid used		General mineral based hydraulic oil (ISO-VG32 equivalent)	
Mass	kg	1.2	

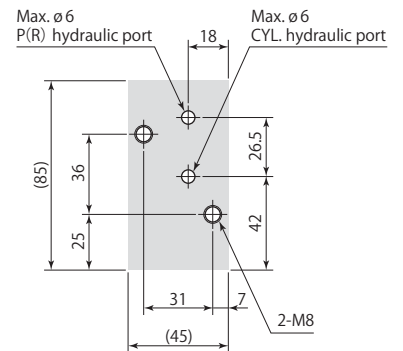
- There is also a type that adopts fluorocarbon for seal sections where cutting fluid is applied, as a measure for the use of chlorine-based cutting fluid (this is not thermal resistant specification. Model designation VHB-H□-V).

Dimensions

VHB-HG Manifold mounting *No internal filter

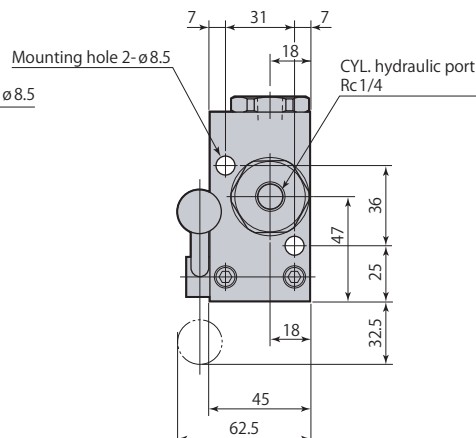
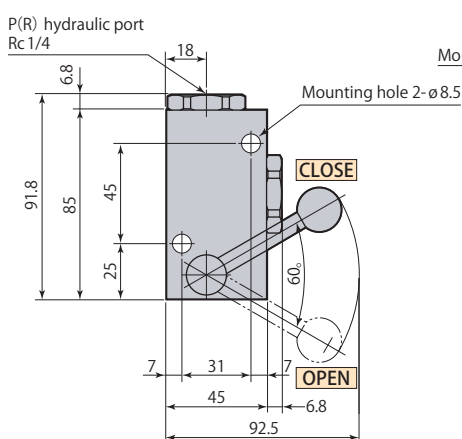


Mounting details



For manifold piping, the mounting surface finish must be no rougher than Rz6.3 (ISO4287:1997).

VHB-HT Piping mounting *With internal filter (P & CYL. hydraulic ports)



- Mounting screws are not included.