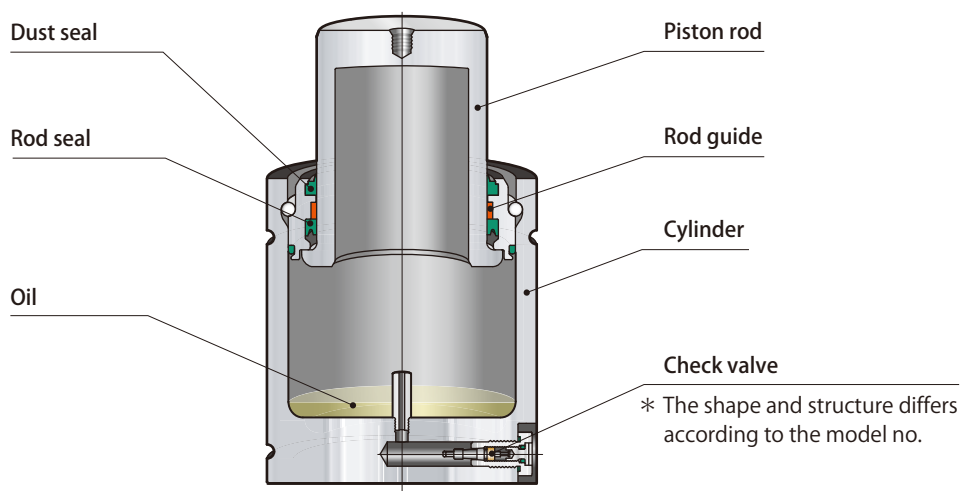


model **DNK**



Gas spring model

DNK 1500 - 50 FC 15

- 1 Size •.....
- 2 Stroke S (mm) •.....
- 3 Mounting flanges •.....
- 4 Gas charge pressure (MPa) / way of piping •.....

1 Size Refer to **Page → 11 ~ 12** for details
0350 0500 0750 1000 1500 2400 4200 6600 9500

2 Stroke S Refer to **Page → 11 ~ 12** for details
10 : 10 mm ~ 125 : 125 mm

3 Mounting flanges Refer to **Page → 13 ~ 16** for details

FC : FC flange
 FS : FS flange
 BK : BK flange
 BL : BL flange
 BF : without flange

4 Gas charge pressure (MPa) / way of piping

For self-contained use, Choose and specify one of the recommended gas pressure levels shown above.
(For the charging pressure other than above, specify the pressure to one digit after the decimal point.)

3.4 : 3.4 MPa Gas Charging Pressure: 3.4 6.9 10.3 13.7 15 18 *
 }
15 : 15 MPa The gas charging range: 3.4 ~ 15MPa (20°C) * 3.4 ~ 18MPa for DNK0350 only

- T : For charging type, specify "-T". Common to domestic and overseas (outside Japan) use. (Charging pressure is not necessary to specify) Check valve is not mounted at shipment.
- OS : Specify "- OS" in case self-contained gas spring without gas charge.

Model	Stroke S mm	Initial force kN	Full stroke load kN	Compression ratio	Mass kg	L mm	H mm	Dimensions mm	
DNK0350-	10	10	3.62	5.86	1.62	0.2	60	50	K = 16 N = 2 D = 32 Z = 12.5 E = 5 P = M6 depth5 J = 1 Piping port= M6
	13	13	3.62	5.71	1.58	0.3	66	53	
	16	16	3.62	5.63	1.56	0.3	72	56	
	19	19	3.62	5.58	1.54	0.3	78	59	
	25	25	3.62	5.52	1.52	0.3	90	65	
	32	32	3.62	5.48	1.51	0.3	104	72	
	38	38	3.62	5.46	1.51	0.3	116	78	
	50	50	3.62	5.43	1.50	0.4	140	90	
	63	63	3.62	5.41	1.49	0.4	166	103	
	75	75	3.62	5.40	1.49	0.4	190	115	
	80	80	3.62	5.40	1.49	0.5	200	120	
100	100	3.62	5.39	1.49	0.5	240	140		
125	125	3.62	5.38	1.49	0.6	290	165		
DNK0500-	10	10	4.71	8.00	1.70	0.3	60	50	K = 20 N = 2 D = 38 Z = 12.5 E = 5 P = M6 depth5 J = 1 Piping port= M6
	13	13	4.71	8.03	1.70	0.4	66	53	
	16	16	4.71	7.87	1.67	0.4	72	56	
	19	19	4.71	7.77	1.65	0.4	78	59	
	25	25	4.71	7.65	1.62	0.4	90	65	
	32	32	4.71	7.58	1.61	0.4	104	72	
	38	38	4.71	7.54	1.60	0.5	116	78	
	50	50	4.71	7.49	1.59	0.5	140	90	
	63	63	4.71	7.45	1.58	0.6	166	103	
	75	75	4.71	7.43	1.58	0.6	190	115	
	80	80	4.71	7.43	1.58	0.7	200	120	
100	100	4.71	7.41	1.57	0.8	240	140		
125	125	4.71	7.39	1.57	0.9	290	165		
DNK0750-	13	13	7.36	11.5	1.56	0.5	73	60	K = 25 N = 2 D = 45 Z = 15.5 E = 5 P = M6 depth5 J = 1 Piping port= G1/8(BSP)
	16	16	7.36	11.5	1.56	0.6	79	63	
	19	19	7.36	11.4	1.55	0.6	85	66	
	25	25	7.36	11.4	1.55	0.6	97	72	
	32	32	7.36	11.4	1.55	0.7	111	79	
	38	38	7.36	11.4	1.55	0.7	123	85	
	50	50	7.36	11.3	1.54	0.7	147	97	
	63	63	7.36	11.3	1.54	0.8	173	110	
	75	75	7.36	11.3	1.54	0.9	197	122	
	80	80	7.36	11.3	1.54	0.9	207	127	
	100	100	7.36	11.3	1.54	1.0	247	147	
125	125	7.36	11.3	1.54	1.1	297	172		
DNK1000-	13	13	9.24	14.2	1.54	0.7	78	65	K = 28 N = 3 D = 50 Z = 15.5 E = 11.4 P = M6 depth5 J = 2 Piping port= G1/8(BSP)
	16	16	9.24	14.3	1.55	0.7	84	68	
	19	19	9.24	14.4	1.56	0.8	90	71	
	25	25	9.24	14.5	1.57	0.8	102	77	
	32	32	9.24	14.6	1.58	0.9	116	84	
	38	38	9.24	14.7	1.59	0.9	128	90	
	50	50	9.24	14.8	1.60	1.0	152	102	
	63	63	9.24	14.8	1.60	1.1	178	115	
	75	75	9.24	14.9	1.61	1.2	202	127	
	80	80	9.24	14.9	1.61	1.2	212	132	
	100	100	9.24	14.9	1.61	1.4	252	152	
125	125	9.24	14.9	1.61	1.6	302	177		
DNK1500-	13	13	15.3	23.4	1.53	1.1	78	65	K = 36 N = 3 D = 63 Z = 19 E = 11.4 P = M6 depth5 J = 2 Piping port= G1/8(BSP)
	16	16	15.3	23.7	1.55	1.2	84	68	
	19	19	15.3	24.0	1.57	1.3	90	71	
	25	25	15.3	24.3	1.59	1.3	102	77	
	32	32	15.3	24.6	1.61	1.4	116	84	
	38	38	15.3	24.7	1.61	1.5	128	90	
	50	50	15.3	24.9	1.63	1.6	152	102	
	63	63	15.3	25.0	1.63	1.8	178	115	
	75	75	15.3	25.1	1.64	1.9	202	127	
	80	80	15.3	25.1	1.64	2.0	212	132	
	100	100	15.3	25.2	1.65	2.2	252	152	
125	125	15.3	25.3	1.65	2.6	302	177		
DNK2400-	16	16	23.9	34.7	1.45	1.8	91	75	K = 45 N = 3 D = 75 Z = 21 E = 11.4 P = M6 depth5 J = 2.5 Piping port= G1/8(BSP)
	19	19	23.9	35.2	1.47	1.8	97	78	
	25	25	23.9	36.0	1.51	1.9	109	84	
	32	32	23.9	36.6	1.53	2.0	123	91	
	38	38	23.9	36.9	1.54	2.1	135	97	
	50	50	23.9	37.4	1.56	2.3	159	109	
	63	63	23.9	37.7	1.58	2.5	185	122	
	75	75	23.9	37.9	1.59	2.7	209	134	
	80	80	23.9	38.0	1.59	2.7	219	139	
	100	100	23.9	38.2	1.60	3.0	259	159	
	125	125	23.9	38.4	1.61	3.4	309	184	

Model	Stroke S mm	Initial force kN	Full stroke load kN	Compression ratio	Mass kg	L mm	H mm	Dimensions mm	
DNK4200-	16	16	42.4	62.7	1.48	3.0	94	78	K = 60 N = 3
	19	19	42.4	64.0	1.51	3.1	100	81	
	25	25	42.4	65.6	1.55	3.2	112	87	
	32	32	42.4	66.9	1.58	3.4	126	94	D = 95 Z = 24
	38	38	42.4	67.7	1.60	3.6	138	100	
	50	50	42.4	68.8	1.62	3.9	162	112	E = 11.4 P = M8 depth6
	63	63	42.4	69.6	1.64	4.2	188	125	
	75	75	42.4	70.1	1.65	4.5	212	137	J = 2.5
	80	80	42.4	70.2	1.66	4.6	222	142	
	100	100	42.4	70.7	1.67	5.1	262	162	Piping port= G1/8(BSPP)
125	125	42.4	71.2	1.68	5.7	312	187		
DNK6600-	16	16	66.3	92.2	1.39	5.5	104	88	K = 75 N = 3
	19	19	66.3	94.2	1.42	5.7	110	91	
	25	25	66.3	97.7	1.47	6.0	122	97	
	32	32	66.3	100.3	1.51	6.2	136	104	D = 120 Z = 25.5
	38	38	66.3	102.0	1.54	6.5	148	110	
	50	50	66.3	104.4	1.58	7.0	172	122	E = 11.4 P = M8 depth6
	63	63	66.3	106.1	1.60	7.5	198	135	
	75	75	66.3	107.2	1.62	8.0	222	147	J = 2.5
	80	80	66.3	107.6	1.62	8.2	232	152	
	100	100	66.3	108.9	1.64	9.0	272	172	Piping port= G1/8(BSPP)
125	125	66.3	109.9	1.66	10.1	322	197		
DNK9500-	19	19	95.4	130.8	1.37	9.6	116	97	K = 90 N = 3
	25	25	95.4	135.5	1.42	10.0	128	103	
	32	32	95.4	138.9	1.46	10.4	142	110	
	38	38	95.4	141.0	1.48	10.8	154	116	D = 150 Z = 27.5
	50	50	95.4	144.2	1.51	11.5	178	128	
	63	63	95.4	146.5	1.54	12.3	204	141	E = 11.4 P = M8 depth6
	75	75	95.4	148.0	1.55	13.1	228	153	
	80	80	95.4	148.5	1.56	13.4	238	158	J = 2.5
	100	100	95.4	150.1	1.57	14.6	278	178	
	125	125	95.4	151.5	1.59	16.1	328	203	Piping port= G1/8(BSPP)

● Showing the figures at initial charging pressure 15MPa at 20°C .(model DNK0350only 18MPa)

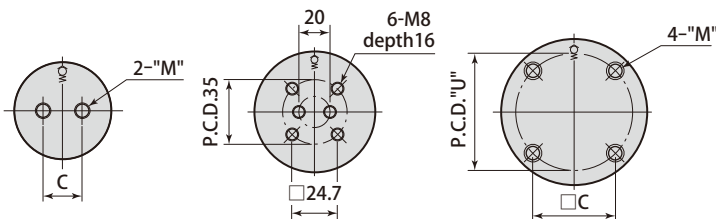
Cylinder base

Dimensions

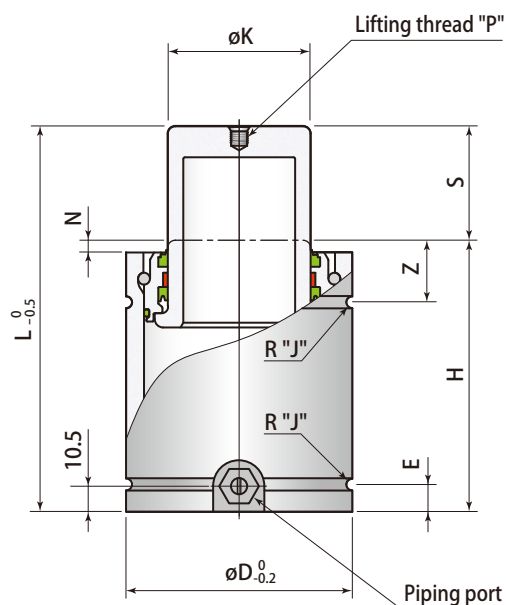
DNK0350~DNK1000

DNK1500

DNK2400~DNK9500



Model	C	M	Model	C	U	M
DNK0350	20	M6 depth11	DNK2400	38.1	53.8	M12 depth16
DNK0500	25	M6 depth11	DNK4200	53.9	76.2	M12 depth16
DNK0750	20	M8 depth16	DNK6600	57.1	80.8	M12 depth16
DNK1000	31.8	M10 depth16	DNK9500	70.7	100	M12 depth16



⚠ Tips for stroke selection

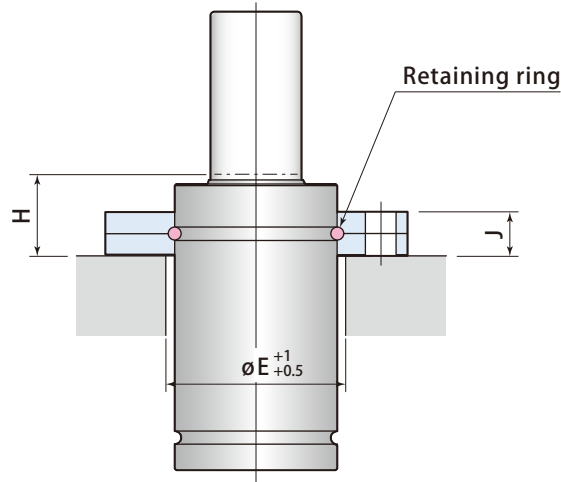
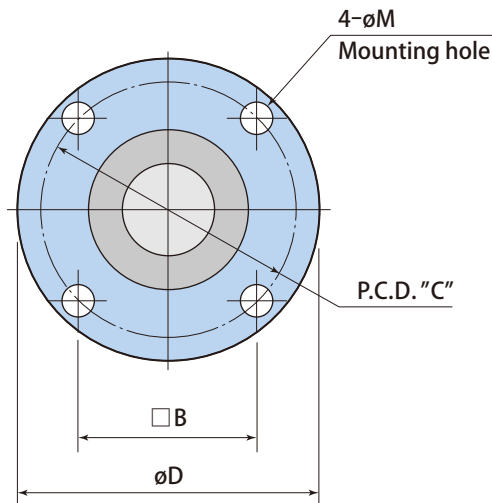
Use gas spring stroke as long as possible to ensure optimal performance of lubrication inside the cylinder.

Flange model

DJF 063 - FC

1 Flange size

- 032 075
- 038 095
- 045 120
- 050 150
- 063



● FC flanges are designed with sufficient strength to accommodate the loading.
(The flange should support the load by its full mounting face, and should be mounted by 4 screws.)

Gas spring model	Flange model	B	C	D	E	H	J	M	Mass of flange
DNK0350	DJF032-FC	35	49.5	60	32	17	9	6.8	0.13 kg
DNK0500	DJF038-FC	40	56.5	68	38	17	9	6.8	0.17 kg
DNK0750	DJF045-FC	50	70.7	86	45	22	13	9	0.40 kg
DNK1000	DJF050-FC	56.5	80	95	50	22	13	9	0.50 kg
DNK1500	DJF063-FC	73.5	104	122	63	27	16	11	1.03 kg
DNK2400	DJF075-FC	73.5	104	122	75	29	16	11	0.88 kg
DNK4200	DJF095-FC	92	130	150	95	33	18	14	1.44 kg
DNK6600	DJF120-FC	109.5	155	175	120	36	21	14	2.03 kg
DNK9500	DJF150-FC	138	195	220	150	41	27	18	4.13 kg

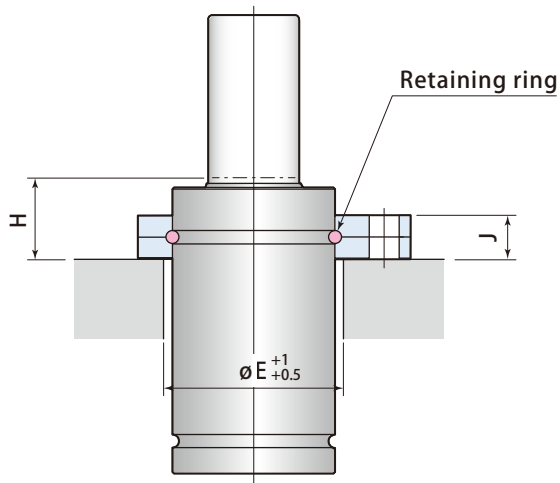
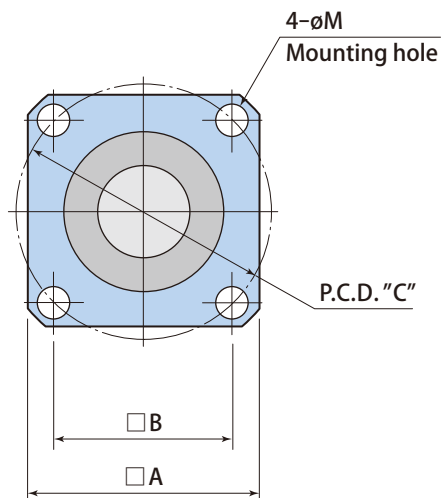
● Flange mounting screws are not included.

Flange model

DJF 063 - FS

1 Flange size

- 032 075
- 038 095
- 045 120
- 050 150
- 063



● FS flanges are designed with sufficient strength to accommodate the loading.
(The flange should support the load by its full mounting face, and should be mounted by 4 screws.)

Gas spring model	Flange model	A	B	C	E	H	J	M	Mass of flange
DNK0350	DJF032-FS	45	35	49.5	32	17	9	6.8	0.10 kg
DNK0500	DJF038-FS	52	40	56.5	38	17	9	6.8	0.12 kg
DNK0750	DJF045-FS	64	50	70.7	45	22	13	9	0.25 kg
DNK1000	DJF050-FS	70	56.5	80	50	22	13	9	0.30 kg
DNK1500	DJF063-FS	90	73.5	104	63	27	16	11	0.60 kg
DNK2400	DJF075-FS	90	73.5	104	75	29	16	11	0.44 kg
DNK4200	DJF095-FS	110	92	130	95	33	18	14	0.65 kg
DNK6600	DJF120-FS	130	109.5	155	120	36	21	14	0.85 kg
DNK9500	DJF150-FS	162	138	195	150	41	27	18	1.60 kg

● Flange mounting screws are not included.

From April 2014, 2-piece structured model BK has been available for sale.
(It is interchangeable with the old model (BU) .)

Flange model

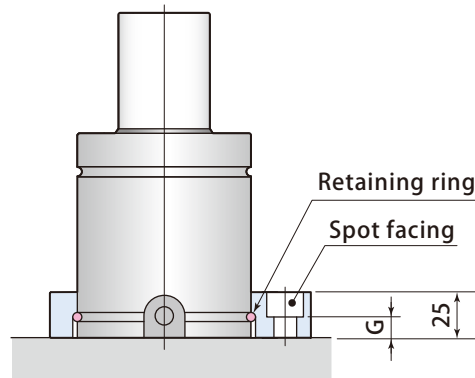
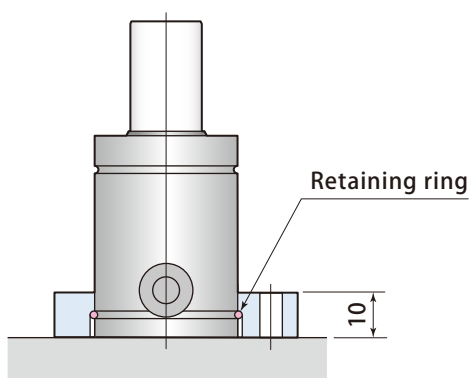
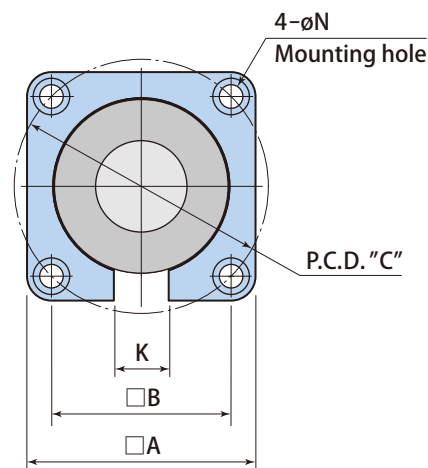
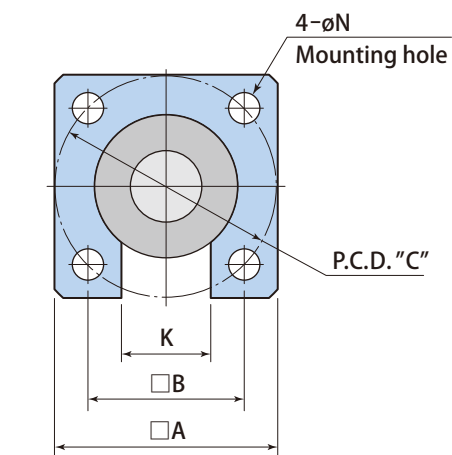
DJF **063** - BK

1 Flange size

032	075
038	095
045	120
050	150
063	

DNK0350
DNK0500
DNK0750

DNK1000 DNK4200
DNK1500 DNK6600
DNK2400 DNK9500



● The cylinder should be backed up fully at the bottom face.

Gas spring model	Flange model	A	B	C	G	K	N	Mass of flange
DNK0350	DJF032-BK	50	35	49.5	—	20	6.8	0.11 kg
DNK0500	DJF038-BK	55	40	56.5	—	25	6.8	0.12 kg
DNK0750	DJF045-BK	70	50	70.7	—	25	9	0.21 kg
DNK1000	DJF050-BK	75	53.9	76.2	14.5	30	11	0.50 kg
DNK1500	DJF063-BK	100	73.5	104	14.5	30	11	1.10 kg
DNK2400	DJF075-BK	100	76.2	107.8	12.5	30	14	0.81 kg
DNK4200	DJF095-BK	125	98.3	139	12.5	30	14	1.40 kg
DNK6600	DJF120-BK	140	114.3	161.6	12.5	30	14	1.40 kg
DNK9500	DJF150-BK	175	139.7	197.6	8.5	30	18	2.10 kg

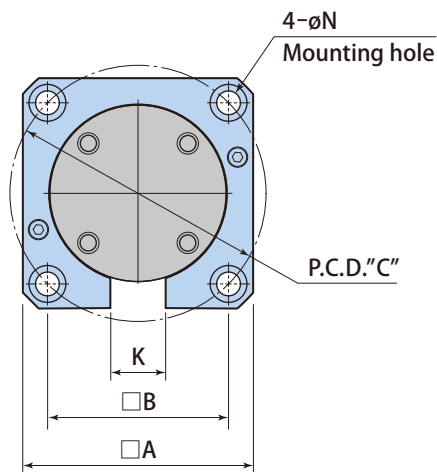
● Flange mounting screws are not included.

Flange model

DJF **063** - BL

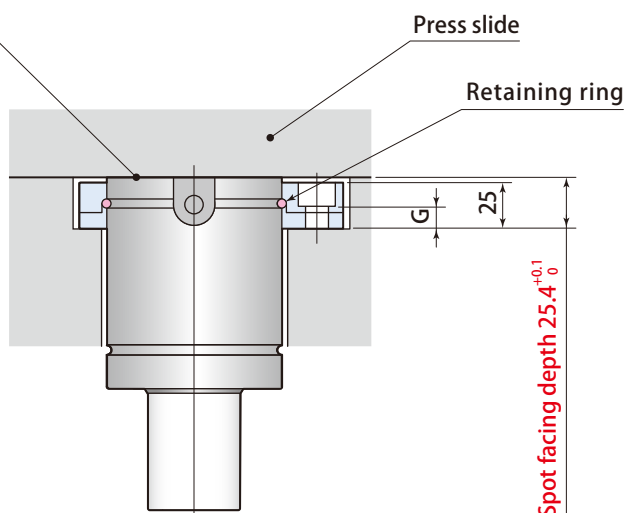
1 Flange size

050	095
063	120
075	150



**⚠ Beware of the spot facing space.
The depth to be strictly controlled.**

There is a risk of damage or loose screw of the flange in case the gap between press slide and the bottom of gas spring exists. Model BL is not compatible with other suppliers' flange due to different thickness.



● The cylinder should be backed up fully at the bottom face.

Gas spring model	Flange model	A	B	C	G	K	N	Mass of flange
DNK1000	DJF050-BL	75	53.9	76.2	14.5	30	11	0.50 kg
DNK1500	DJF063-BL	100	73.5	104	14.5	30	11	1.10 kg
DNK2400	DJF075-BL	100	76.2	107.8	12.5	30	14	0.81 kg
DNK4200	DJF095-BL	125	98.3	139	12.5	30	14	1.40 kg
DNK6600	DJF120-BL	140	114.3	161.6	12.5	30	14	1.40 kg
DNK9500	DJF150-BL	175	139.7	197.6	8.5	30	18	2.10 kg

● Flange mounting screws are not included.