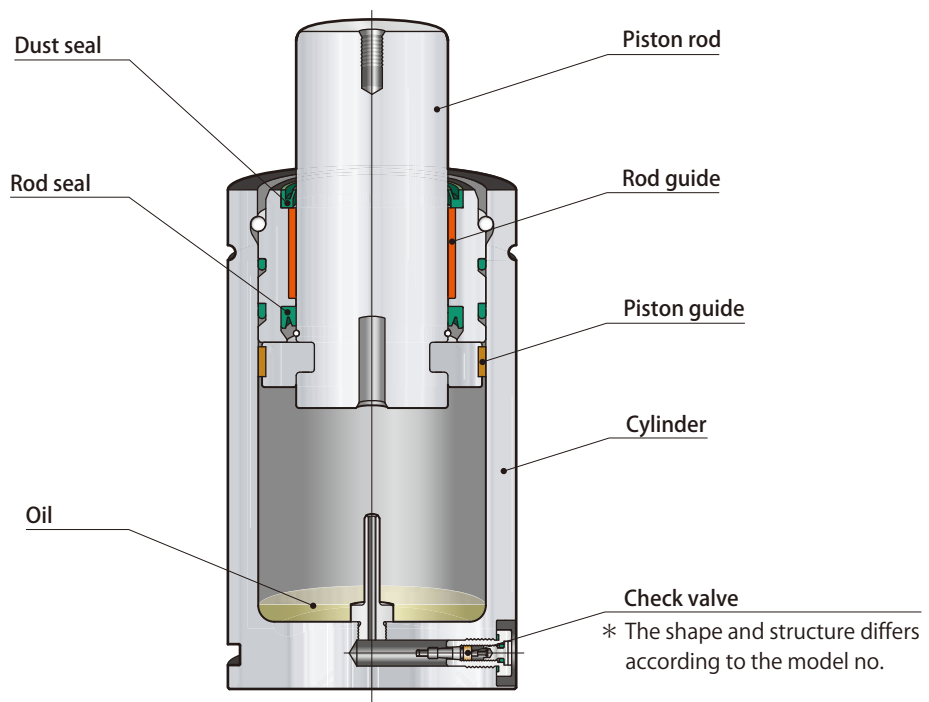


model **DNA**

Gas spring model

DNA **0750** - **200** **FC** **15**

- 1 Size ●.....
- 2 Stroke S (mm) ●.....
- 3 Mounting flanges ●.....
- 4 Gas charge pressure (MPa) / way of piping ●.....

1 Size Refer to **Page → 37 ~ 38** for details

0250 0500 0750 1500 3000 5000

2 Stroke S Refer to **Page → 37 ~ 38** for details

25 : 25 mm ~ **300** : 300 mm

3 Mounting flanges Refer to **Page → 39 ~ 42** for details

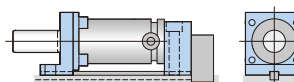
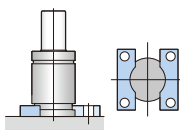
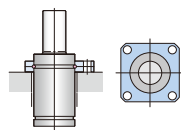
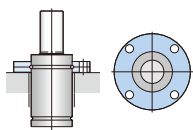
FC : FC flange

FS : FS flange

SC : CS flange

HA : HA flange

BF : without flange



4 Gas charge pressure (MPa) / way of piping

For self-contained use, Choose and specify one of the recommended gas pressure levels shown above.
(For the charging pressure other than above, specify the pressure to one digit after the decimal point.)

3.4 : 3.4 MPa
}

Gas Charging Pressure: **3.4** **6.9** **10.3** **13.7** **15**

15 : 15 MPa

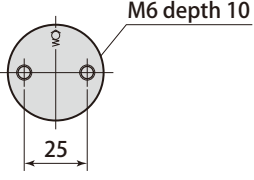
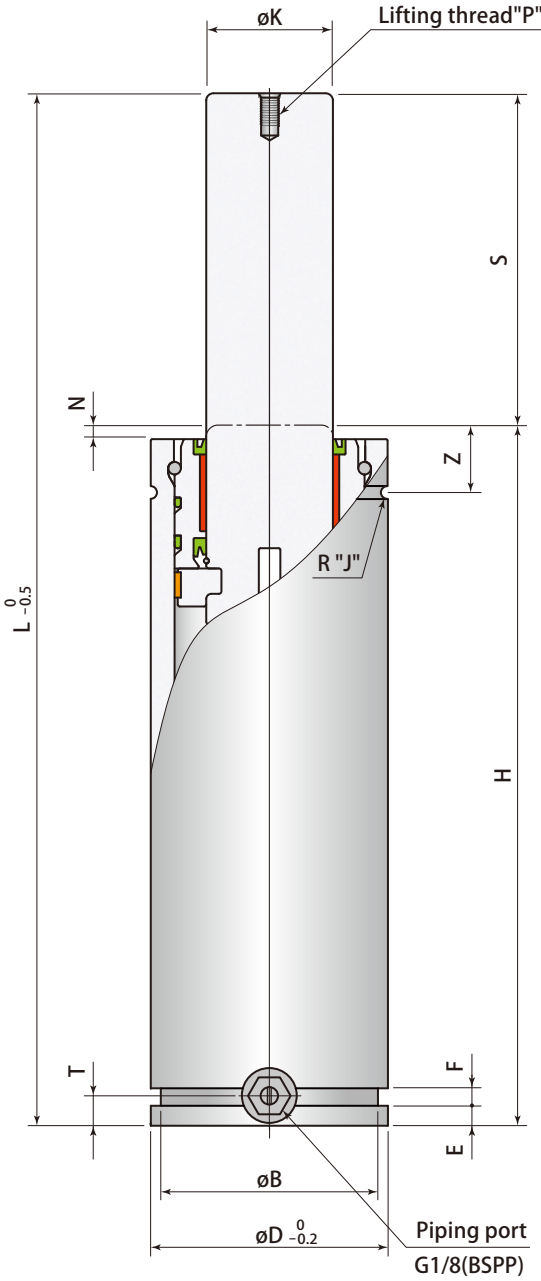
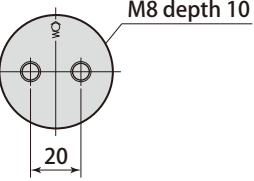
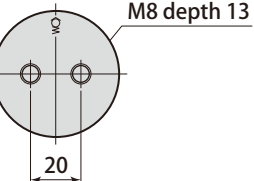
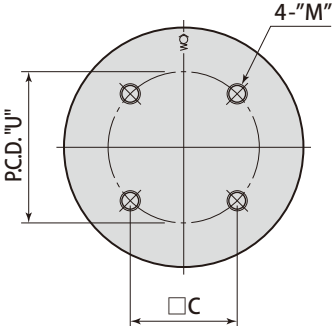
The gas charging range: 3.4 ~ 15MPa (20°C)

- **T** : For charging type, specify "-T". common to domestic and overseas (outside Japan) use.
(Charging pressure is not necessary to specify) Check valve is not mounted at shipment.

- **OS** : Specify "- OS" in case self-contained gas spring without gas charge.

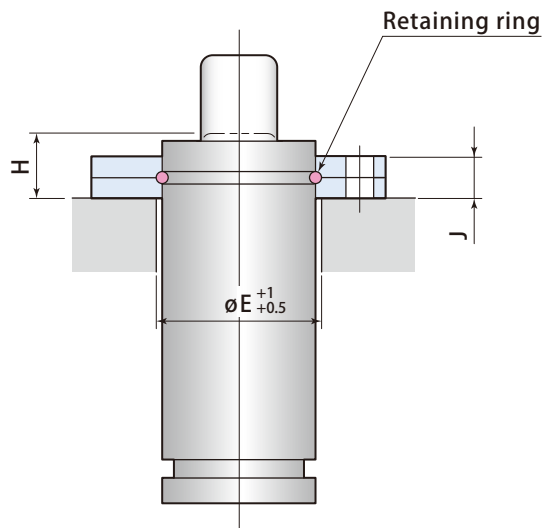
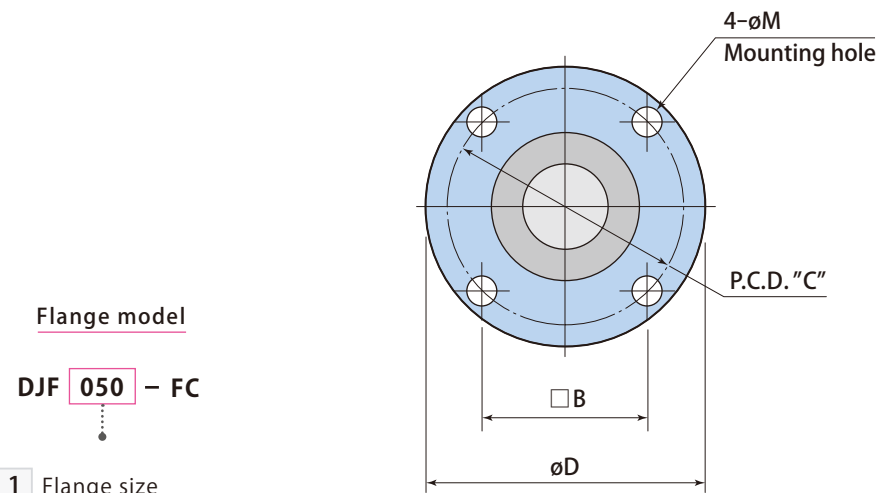
Model	Strokes mm	Initial force kN	Full stroke load kN	Compression ratio	Mass kg	L mm	H mm	Dimensions		
								mm		
DNA0250-	25	25	2.65	3.52	1.33	0.5	100	75	K = 15	P = M6 depth11
	50	50	2.65	3.53	1.33	0.6	150	100	D = 38	T = 10.5
	63.5	63.5	2.65	3.53	1.33	0.7	177	113.5	B = 33	J = 1
	80	80	2.65	3.53	1.33	0.7	210	130	N = 2	Z = 12.5
	100	100	2.65	3.53	1.33	0.8	250	150	E = 4	F = 4
DNA0500-	25	25	4.71	6.23	1.32	1.1	135	110		
	50	50	4.71	6.54	1.39	1.2	185	135	K = 20	P = M8 depth8
	63.5	63.5	4.71	6.62	1.41	1.4	212	148.5	D = 45	T = 15.5
	80	80	4.71	6.69	1.42	1.5	245	165	B = 40	J = 1
	100	100	4.71	6.74	1.43	1.6	285	185	N = 2	Z = 16.5
	125	125	4.71	6.79	1.44	1.8	335	210	E = 4	
	160	160	4.71	6.82	1.45	2.0	405	245	F = 4	
DNA0750-	80	80	7.36	11.4	1.54	1.9	255	175		
	100	100	7.36	11.5	1.56	2.1	295	195	K = 25	P = M8 depth13
	125	125	7.36	11.6	1.57	2.4	345	220	D = 50	T = 12.5
	160	160	7.36	11.7	1.59	2.7	415	255	B = 43	J = 2
	200	200	7.36	11.8	1.60	3.1	495	295	N = 3	Z = 17.5
	250	250	7.36	11.8	1.61	3.5	595	345	E = 8	
	300	300	7.36	11.9	1.61	4.0	695	395	F = 7	
DNA1500-									K = 36	P = M8 depth13
	160	160	15.3	23.1	1.51	6.4	430	270	D = 75	T = 12
	200	200	15.3	23.2	1.52	7.2	510	310	B = 67	J = 2.5
									N = 3	Z = 21
									E = 8	C = 28.3
									F = 7	U = 40
										M = M8 depth15
DNA3000-									K = 50	P = M8 depth13
	160	160	29.5	48.2	1.64	11.1	440	280	D = 95	T = 12
	200	200	29.5	49.0	1.66	12.6	520	320	B = 87	J = 2.5
									N = 3	Z = 24
									E = 8	C = 42.4
									F = 7	U = 60
										M = M8 depth13
DNA5000-									K = 65	P = M8 depth13
	160	160	49.8	79.4	1.60	18.9	460	300	D = 120	T = 12
	200	200	49.8	81.4	1.64	21.3	540	340	B = 112	J = 2.5
									N = 3	Z = 25.5
									E = 8	C = 56.6
									F = 7	U = 80
										M = M10 depth15

● Showing the figures at initial charging pressure 15MPa at 20°C .

Cylinder base mm	Dimensions mm
 <p>M6 depth 10 25</p>	
 <p>M8 depth 10 20</p>	
 <p>M8 depth 13 20</p>	
 <p>4-"M" P.C.D. "U" C</p>	

⚠ Tips for stroke selection

Use gas spring stroke as long as possible to ensure optimal performance of lubrication inside the cylinder.



- FC flanges are designed with sufficient strength to accommodate the loading.
(The flange should support the load by its full mounting face, and should be mounted by 4 screws.)

mm

Gas spring model	Flange model	B	C	D	E	H	J	M	Mass of flange
DNA0250	DJF038-FC	40	56.5	68	38	17	9	6.8	0.17 kg
DNA0500	DJF045-FC	50	70.7	86	45	23	13	9	0.40 kg
DNA0750	DJF050-FC	56.5	80	95	50	24	13	9	0.50 kg
DNA1500	DJF075-FC	73.5	104	122	75	29	16	11	0.88 kg
DNA3000	DJF095-FC	92	130	150	95	33	18	14	1.44 kg
DNA5000	DJF120-FC	109.5	155	175	120	36	21	14	2.03 kg

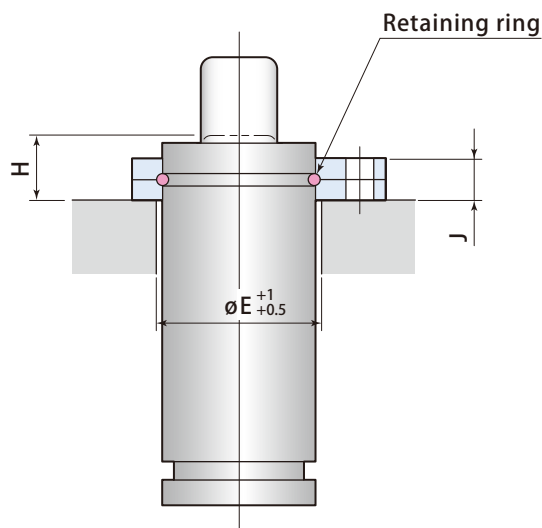
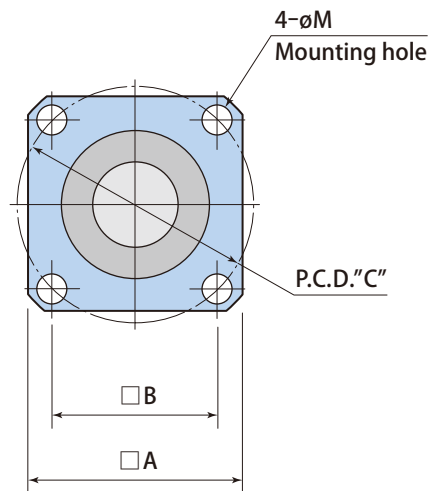
- Flange mounting screws are not included.

Flange model

DJF 050 - FS

1 Flange size

- 038 075
- 045 095
- 050 120



- FS flanges are designed with sufficient strength to accommodate the loading.
(The flange should support the load by its full mounting face, and should be mounted by 4 screws.)

Gas spring model	Flange model	A	B	C	E	H	J	M	Mass of flange
DNA0250	DJF038-FS	52	40	56.5	38	17	9	6.8	0.12 kg
DNA0500	DJF045-FS	64	50	70.7	45	23	13	9	0.25 kg
DNA0750	DJF050-FS	70	56.5	80	50	24	13	9	0.30 kg
DNA1500	DJF075-FS	90	73.5	104	75	29	16	11	0.44 kg
DNA3000	DJF095-FS	110	92	130	95	33	18	14	0.65 kg
DNA5000	DJF120-FS	130	109.5	155	120	36	21	14	0.85 kg

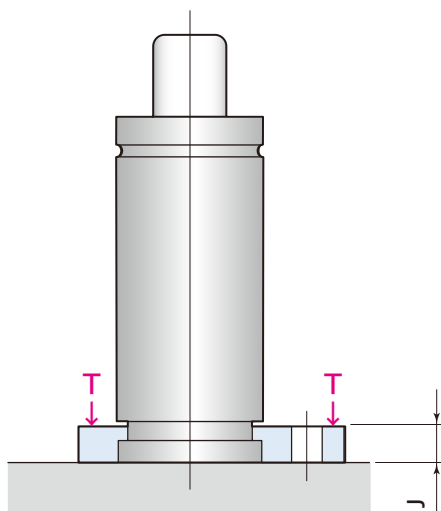
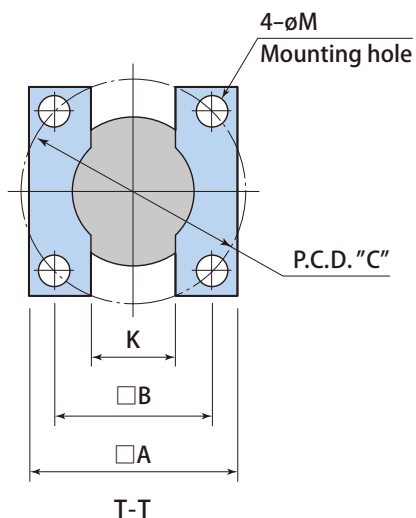
- Flange mounting screws are not included.

Flange model

DJF 050 – SC

1 Flange size

038	075
045	095
050	120



● The cylinder should be backed up fully at the bottom face.

Gas spring model	Flange model	A	B	C	J	K	M	Mass of flange
DNA0250	DJF038-SC	55	40	56.5	6	17	6.8	0.07 kg
DNA0500	DJF045-SC	70	50	70.7	6	20	9	0.12 kg
DNA0750	DJF050-SC	75	56.5	80	12	31	9	0.22 kg
DNA1500	DJF075-SC	100	73.5	104	12	36	11	0.39 kg
DNA3000	DJF095-SC	120	92	130	12	32	14	0.54 kg
DNA5000	DJF120-SC	140	109.5	155	12	40	14	0.64 kg

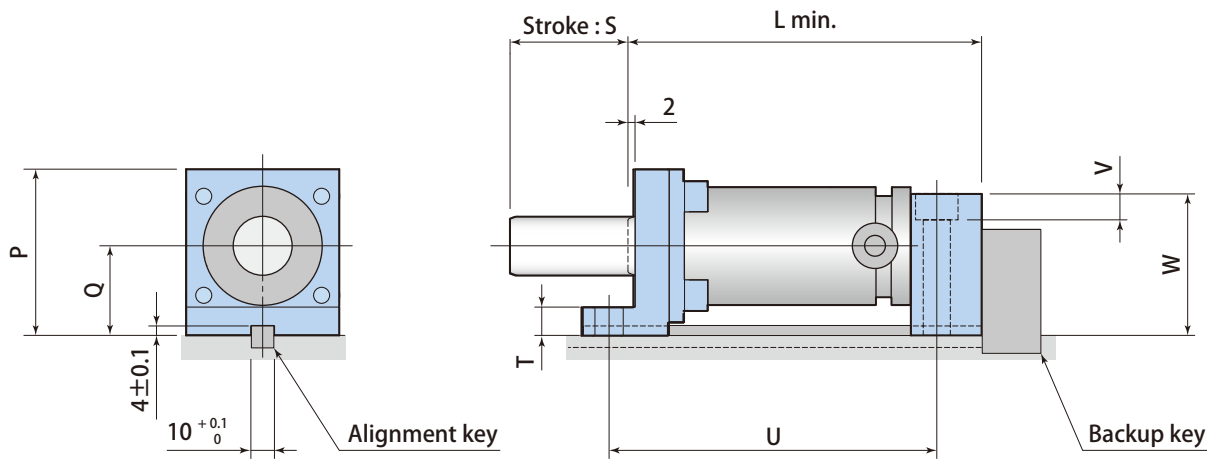
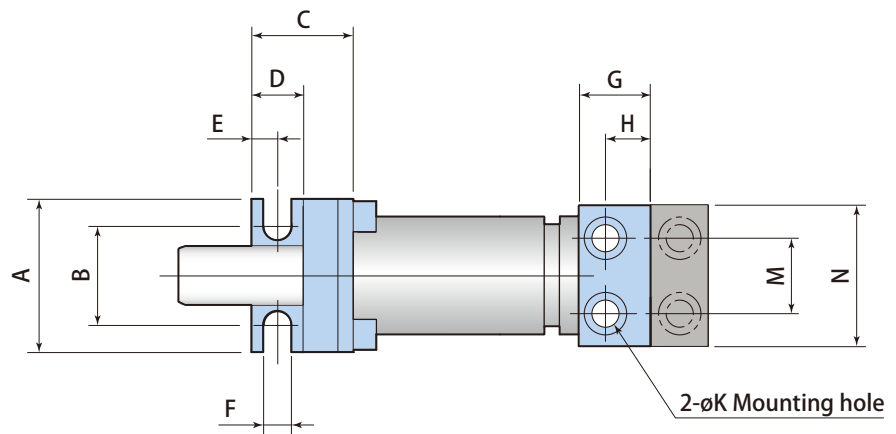
● Flange mounting screws are not included.

Flange model

DJF 045 - HA

1 Flange size

045



- Use a key groove of the flange when installation to avoid the side-load to the gas spring.
- Install a back up key at the back of flange to prevent the flange mounting screws from damage.

Gas spring model	Flange model	L min.	U	A	B	C	D	E	F	G	H	K	M	N	P	Q	T	V	W	Mass of flange
DNA0500	DJF045-HA	110+S	105+S	60	37	43	22	11	12	25	14	11	32	55	66	36	11	11	60	1.00 kg

mm

- Flange mounting screws are not included.