

Specifications**I** : Meter-in**O** : Meter-out

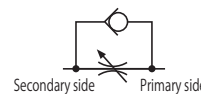
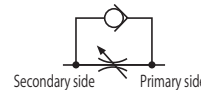
G port size

Control method



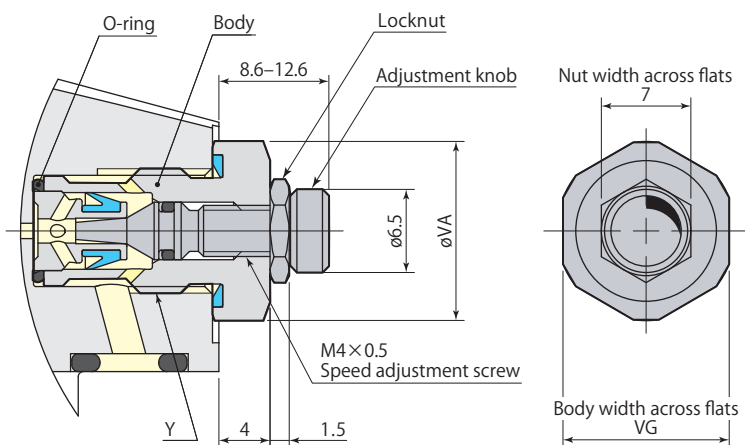
Locknut color : Silver

Locknut color : Black

01 : G1/8**VCL** —**02** : G1/4**I** : Meter-in**O** : Meter-out

Model	VCL01-I	VCL01-O	VCL02-I	VCL02-O
G port size	G1/8		G1/4	
Orifice area	mm ²	2.8	6.2	
Recommended tightening torque	N·m	7	15	
Mass	kg	0.01	0.02	

- Pressure range: 0.1–1.0 MPa
 - Proof pressure: 1.5 MPa
 - Operating temperature: 0–70 °C
 - Fluid used: Air*
- *: Supply the dry and filtered air. Particulate size 5 μm or less is recommended.



Model	VCL01	VCL02
Y	G1/8	G1/4
øVA	14	19
VG	13	17
Adjustment screw number of turns	8 rotations	
O-ring*1	6.0×1.0*2	8.0×1.0*2

- *1: Fluorocarbon hardness Hs90
- *2: Inner diameter × Thickness

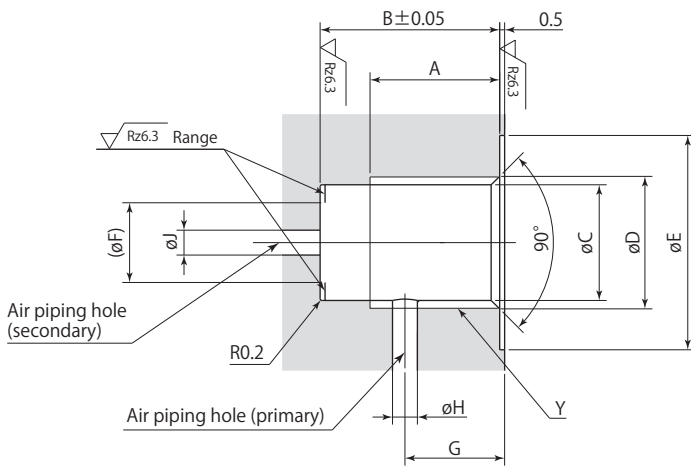
- Use a closed wrench or socket wrench for mounting and dismounting.
- Speed controller can be mounted on air port (G port) when using manifold piping.
- This diagram depicts mounted condition for meter-out (VCL□-O).
- VCL is shipped with the valve fully open. Adjust the flow rate by loosening the screw after it is tightened up to close the valve. Tighten the locknut after adjustment is completed.

Applicable clamp

Model	VCL01	VCL02
Air swing clamp	CTX32, CTX40 CTY32, CTY40	CTX50, CTX63 CTY50, CTY63
Air link clamp	CLX32, CLX40 CLY32, CLY40*	CLX50, CLX63 CLY50, CLY63*

- *: Air link clamp boost model CLY are meter-out only.

Mounting details



Rz: ISO4287(1997)

Model	mm	
	VCL01	VCL02
A	9	13
B	14	18
$\varnothing C$	$8.7^{+0.1}_0$	$11.6^{+0.1}_0$
$\varnothing D$	9.9	13.3
$\varnothing E$	17.5	21.5
$\varnothing F$	6	8
G	8-11	9-12.5
$\varnothing H$	2	3
$\varnothing J$	2	3
Y	G1/8	G1/4

Mounting & dismounting of speed controller

- When mounting or dismounting a speed controller, be sure to set pressure within air circuit to 0 MPa before starting.
- When mounting a speed controller, be sure to tighten it with the recommended tightening torque.

