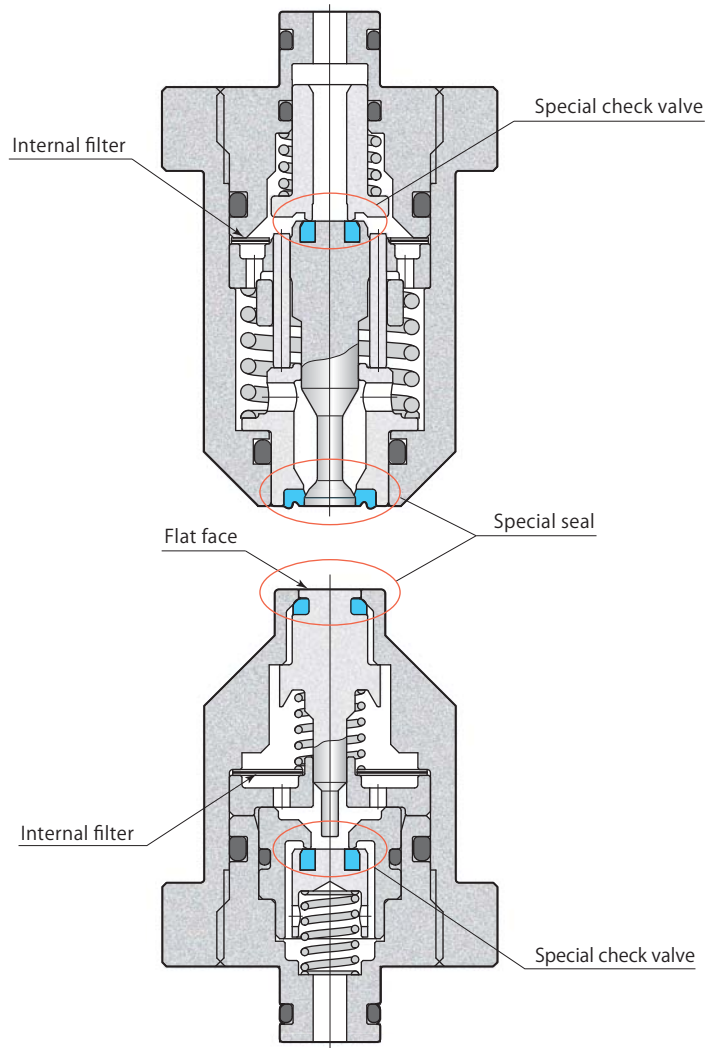


Special seal mechanism ensures leak of operating oil is zero for connecting and disconnecting

7 MPa Non-leak coupler socket

model **WVP-2HSL**



7 MPa Non-leak coupler plug

model **WVP-2HPL**

Spill amount (liquid drip amount per connection or disconnection) 0.01 mL or less

Specifications

- Special seal installed on the tip of coupler socket and coupler plug can minimize the intrusion of air and spill of working fluid during connection and disconnection, furthermore, it prevents corruption of coolant by being miscible with spilled working fluid and air contamination of clamp circuit.
- Model WVP-2H incorporates filter and protects internal check valves and clamps from foreign substances.
- Connection and disconnection, which had been difficult to perform with conventional couplers while hydraulic pressure is applied, can be performed smoothly.
- Pressure in the circuit is retained for a long time after disconnection of coupler.

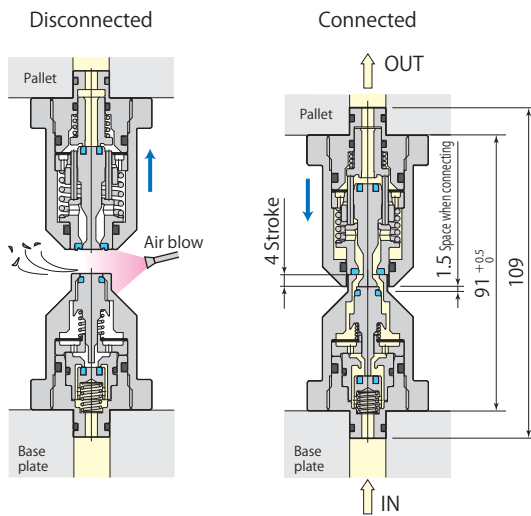
Pressure range	1–7 MPa	Circuit symbol  Plug hydraulic pressure source <b>7MPa</b> Connect/disconnect under pressure : Capable
Proof pressure	10.5 MPa	
Orifice area	12.5 mm <sup>2</sup>	
Fluid used	General mineral based hydraulic oil (ISO-VG32 equivalent)	
Allowable eccentricity	±0.4 mm	
Allowable inclination	0.2° or less	
Reactive force*	154 N per 1 MPa fluid pressure	
	Max. spring force for no pressure 157 N	
Operating temperature	0–70 °C	
Mass	WVP-2HSL : 270 g	WVP-2HPL, 2HDL : 230 g

\*: Reactive force (N) = Fluid pressure (MPa) × 154 + 157

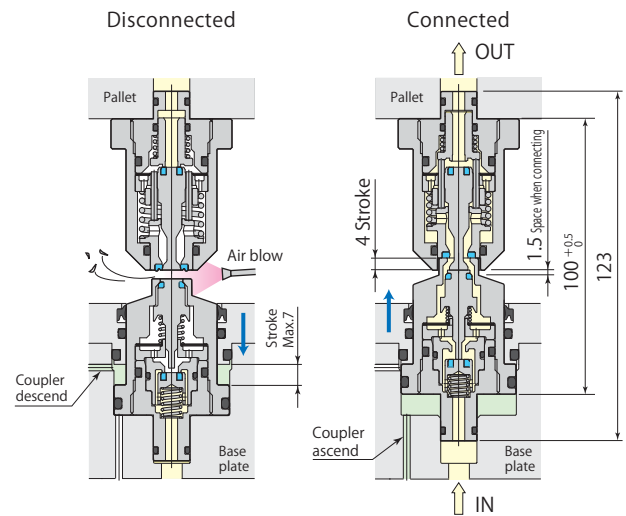
- Supply operating oil from plug.
- Mixed use with model WVP-2S□L is not possible.

**Non-leak coupler fixed**

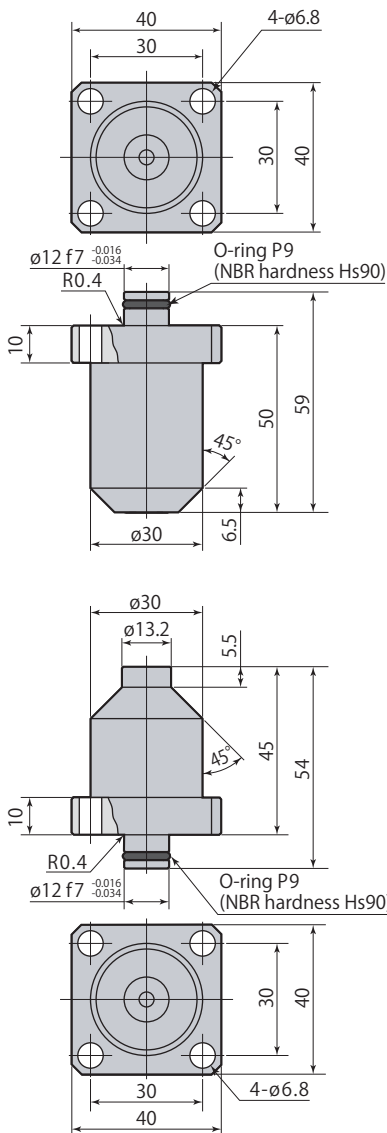
Coupler lower section hydraulic pressure supply



**Non-leak coupler float**



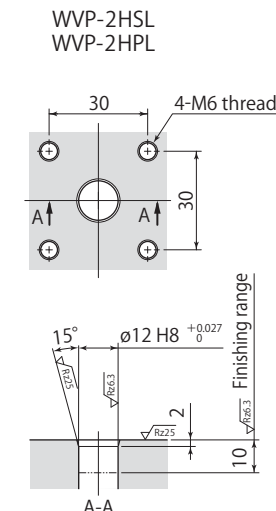
WVP-2HSL socket (fixed)



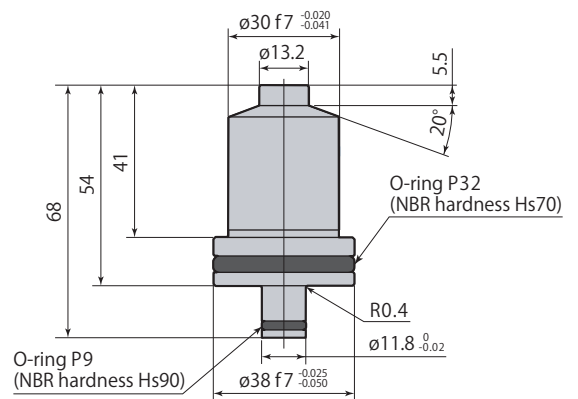
WVP-2HPL plug (fixed)

**Dimensions**

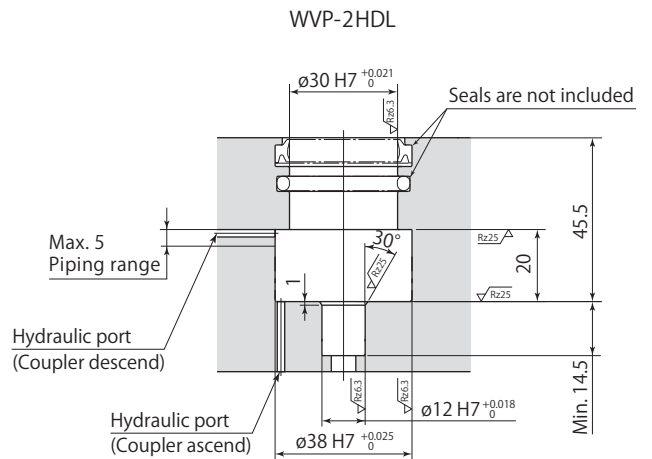
**Mounting details**



WVP-2HDL plug (floating)



**Mounting details**



● Mounting screws are not included.

Rz: ISO4287(1997)