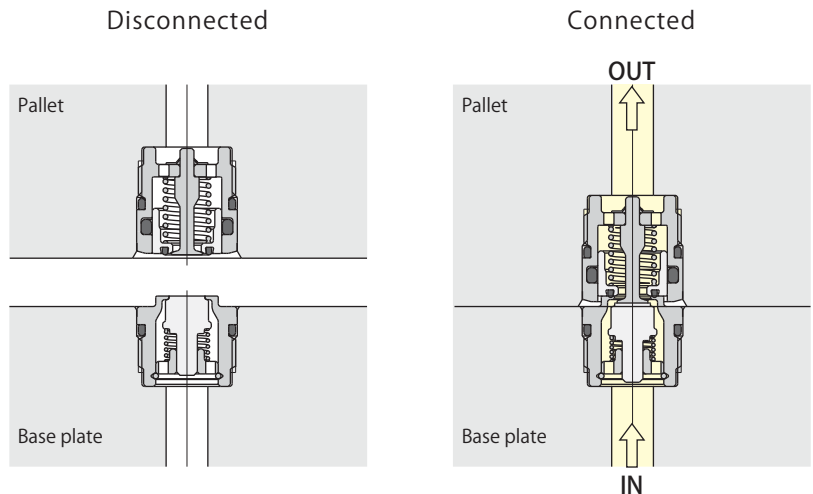
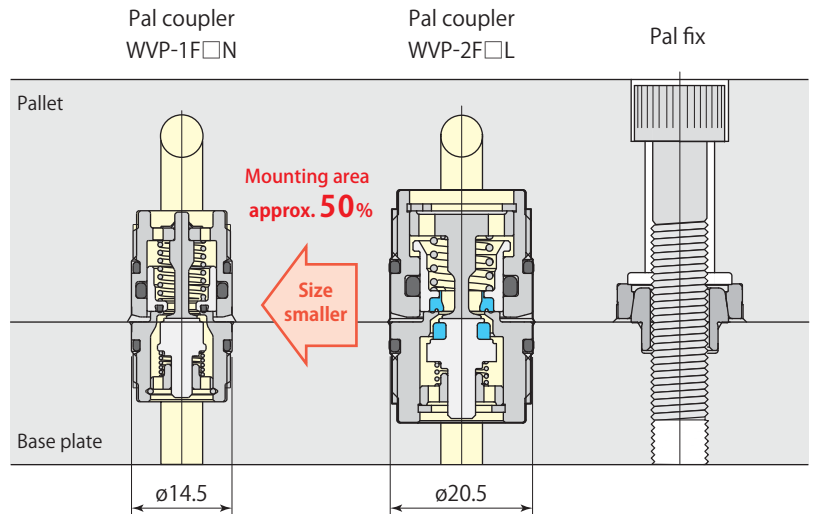


Downsized air coupler but maintaining same flow rate with existing models.

Pal coupler socket
Air
model **WVP-1FSN**



Pal coupler plug
Air
model **WVP-1FPN**



Specifications

- This model is designed to use on flat mating faces with no protrusion from mount face.
- The parts in the coupler are corrosion prevented (stainless).

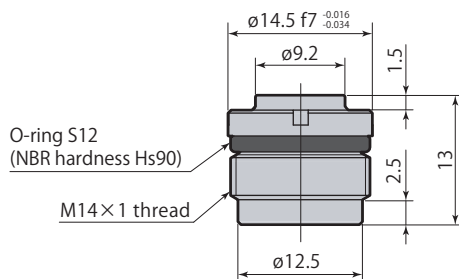
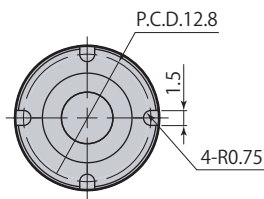
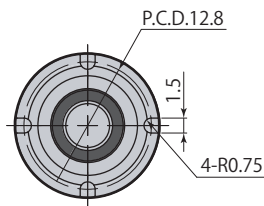
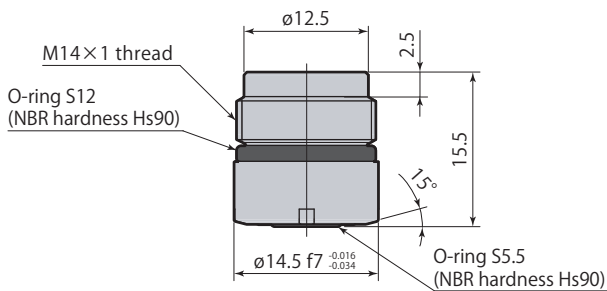
Pressure range	0–1 MPa	Circuit symbol Air Connect/disconnect under pressure : Incapable
Proof pressure	1.5 MPa	
Orifice area	8 mm ²	
Fluid used	Air	
Allowable eccentricity	±0.4 mm	
Allowable inclination	0.3° or less	
Reactive force*	79 N per 1 MPa fluid pressure Max. spring force for no pressure 24 N	
Operating temperature	0–70 °C	
Mass	WVP-1FSN : 12.5 g WVP-1FPN : 10.5 g	

* : Reactive force (N) = Fluid pressure (MPa) × 79 + 24

WVP-1FSN

Air socket

Recommended tightening torque : 5 N·m



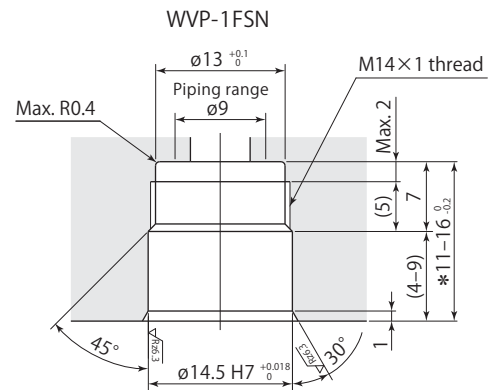
WVP-1FPN

Air plug

Recommended tightening torque : 5 N·m

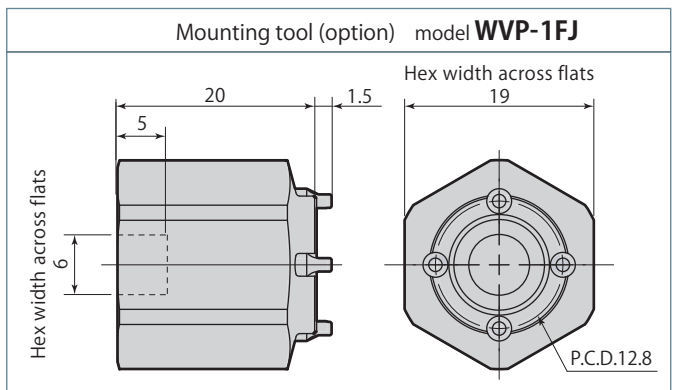
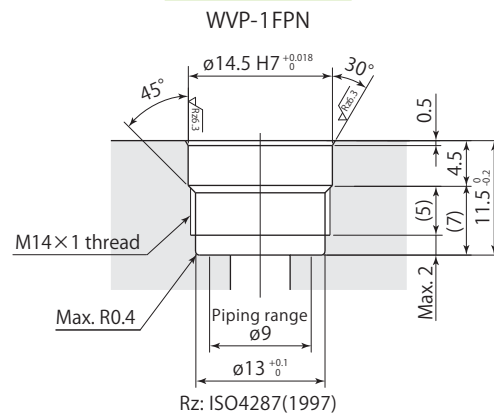
Dimensions

Mounting details



*: When using Pal fix as a set, be sure to set depth to $16_{-0.2}^0$.
Refer to pages → 64–75 for details on Pal fix.

Mounting details



Caution in use

- Stop supplying fluid during disconnection and connection operations. Disconnecting or connecting coupler while fluid is flowing results in the leakage.
- Coupler has no built in filter. Ensure that foreign substances on connecting surfaces are removed by blowing air before connecting to prevent intrusion of foreign substances into piping.
- Provide the stopper and the guide as shown in the diagram to protect coupler from damage unless it is used in combination with Pal fix. Do not use a coupler as a guide or stopper when connecting. It may cause the damage. Install the stopper to have the dimension $27.5_{-0.5}^0$ (See diagram on the right). Observe allowable eccentricity and inclination value when installing the guide. (Refer to page → 88 for details on allowable eccentricity and inclination value.)

Mounting sample without Pal fix

