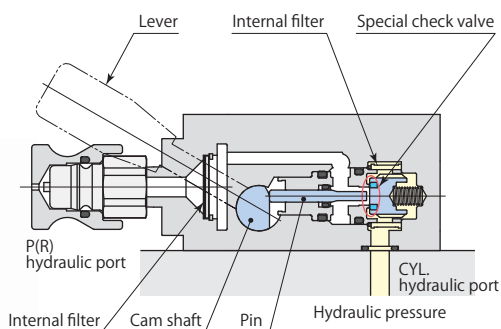




Coupling valve model VHD



This is a non-leak valve, with which coupling of single acting clamp can be performed easily and clamping circuit pressure can be retained over a long period of time after disengagement of hydraulic pressure source.

Specifications

Mounting, piping methods

GB : Manifold, GB mounting

GS : Manifold, GS mounting

T : Piping

Lever action

(Nil) : Clamping position keeping type

D : Detent type

Lever mounting

(Nil) : Standard

K : Opposite side

Option

(Nil) : NBR

V* : Fluorocarbon

■ indicates made to order.

*: Fluorocarbon has been adopted for seal sections where cutting fluid is applied, as a measure for the use of chlorine-based cutting fluid (this is not thermal resistant specification).

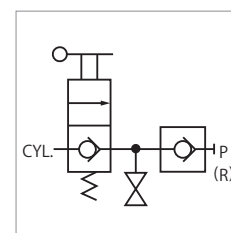
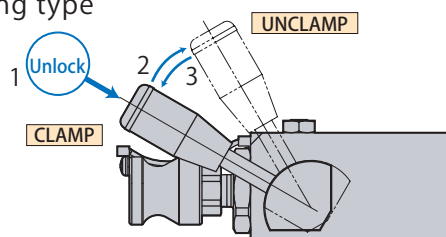
Model	VHD-HGB	VHD-HGS	VHD-HT
Pressure range	MPa	7-30	
Proof pressure	MPa	37.5	
Cracking pressure	MPa	0.017	
Orifice area	mm ²	21.0	
Operating temperature	°C	0-70	
Fluid used	General mineral based hydraulic oil (ISO-VG32 equivalent)		
Mass	kg	1.4	

Lever operation

VHD-H□-□□ Clamping position keeping type

From the clamping position

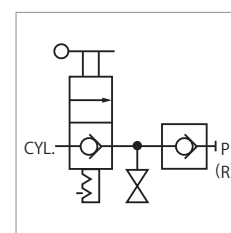
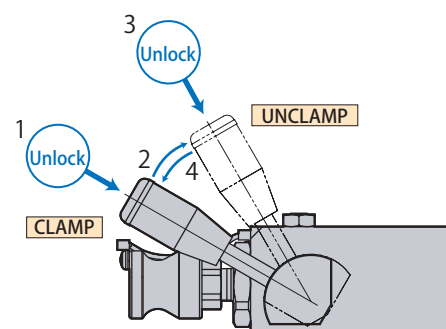
1. Push the lever lock is released.
2. Unclamp causing the lever.
3. Return to the clamping position when you take your hand off the lever.



VHD-H□-D□□ Detent type

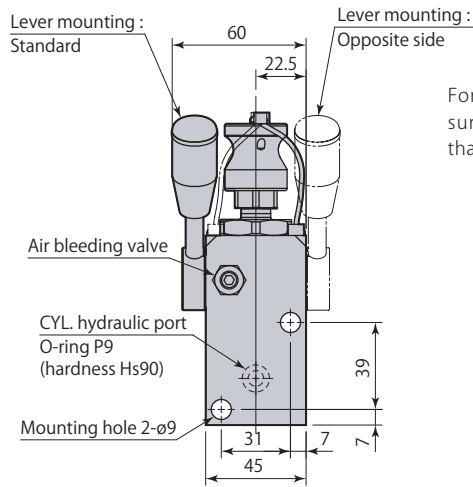
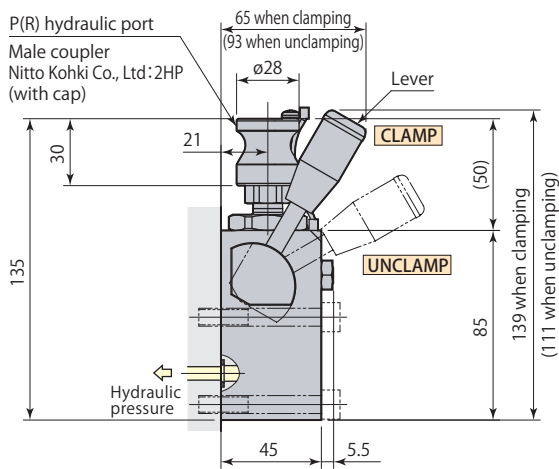
From the clamping position

1. Push the lever lock is released.
2. Unclamp and lock causing the lever.
3. When the clamp, push the lever to unlock.
4. Clamp and lock the lever back.



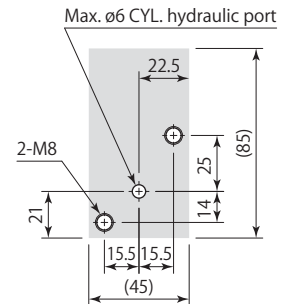
Dimensions

VHD-HGB-□□□□ Manifold, GB mounting *With internal filter (P & CYL. hydraulic ports)

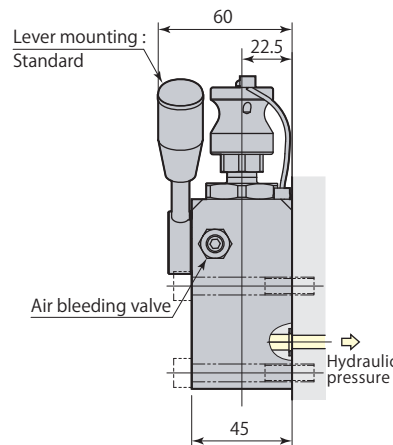
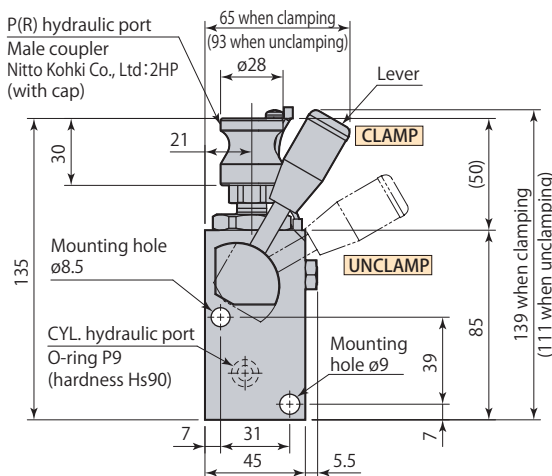


Mounting details

For manifold piping, the mounting surface finish must be no rougher than Rz6.3 (ISO4287:1997).

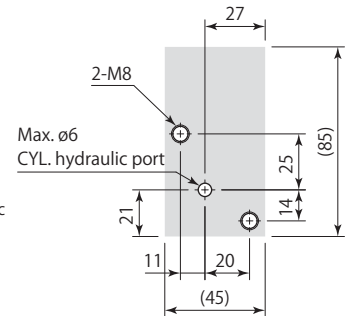


VHD-HGS-□□□□ Manifold, GS mounting *With internal filter (P & CYL. hydraulic ports)
Opposite side lever not available

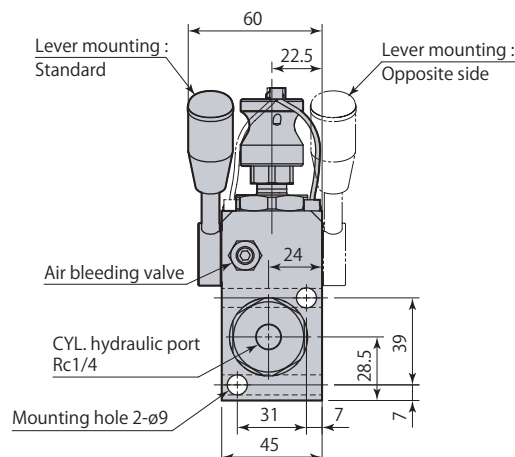
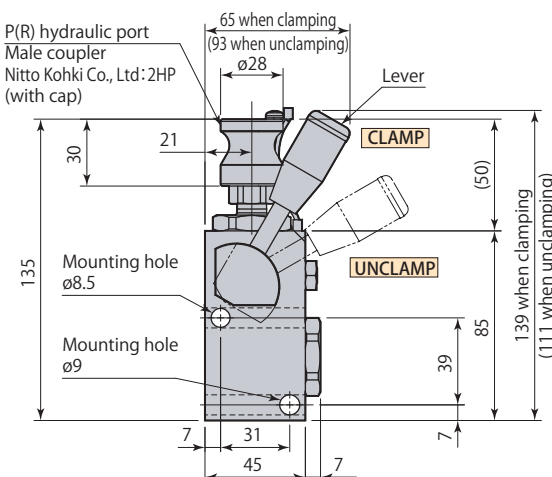


Mounting details

For manifold piping, the mounting surface finish must be no rougher than Rz6.3 (ISO4287:1997).



VHD-HT-□□□□ Piping mounting *With internal filter (P & CYL. hydraulic ports)



● Female coupler (Nitto Kohki Co., Ltd:2HS) and mounting screws are not included.