

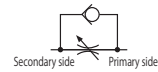
Specification

Body color : Silver

G port size

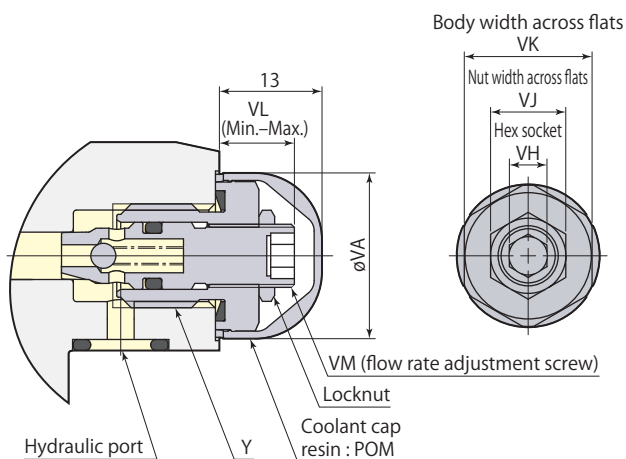
**VCH** **01** : G1/8  
**02** : G1/4

Control method

**(Nil)** : Meter-in

Model		VCH01	VCH02
G port size		G1/8	G1/4
Cracking pressure	MPa	0.04	
Orifice area	mm <sup>2</sup>	3.1	6.2
Recommended tightening torque	N-m	10	30
Mass	kg	0.06	0.07

- Pressure range: 1–50 MPa
- Operating temperature: 0–70 °C
- Fluid used: General mineral based hydraulic oil (ISO-VG32 equivalent)

Dimensions

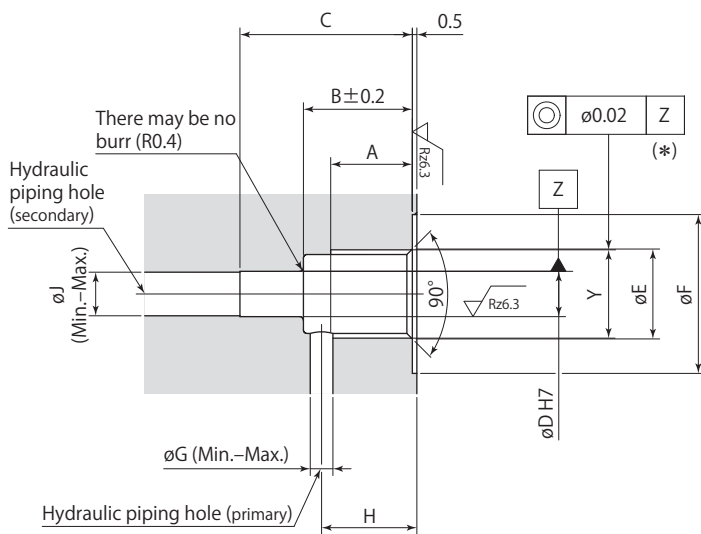
Model	VCH01	VCH02
Y	G1/8	G1/4
øVA	16	21
VH	3	5
VJ	8	10
VK	12	17
VL	7–11	7.5–11.5
Adjustment screw number of turns	5.3 rotations	5.3 rotations
VM	M6×0.75	M8×0.75

- Use a closed wrench or socket wrench for mounting and dismounting.
- Flow control valve can be mounted on hydraulic port (G port) when manifold piping.
- Adjust flow rate without hydraulic pressure. Conducting adjustments with hydraulic pressure may result in damaging seal.
- VCH is shipped with the valve fully open. Adjust the flow rate by loosening the screws after it is screwed in to close totally. Tighten the locknut after adjustment is completed.

Applicable clamp

Model	VCH01	VCH02
Swing clamp (double acting)	CTK04U, 06U, 10U CTK04B, 06B, 10B	CTK16U CTK16B
Link clamp (double acting)	CLW04-N, 06-N, 10-N	CLW16-N, 25-N
Link clamp (single acting)	CLV06-N, 10-N	CLV16-N, 25-N

### Mounting details



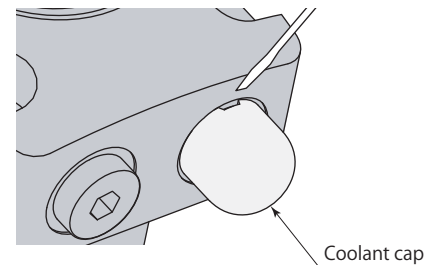
Rz: ISO4287(1997)

Model	VCH01	VCH02
A	9	13
B	13	18
C	17.5	22.5
øD	5 <sup>+0.012</sup> <sub>0</sub>	6 <sup>+0.012</sup> <sub>0</sub>
øE	9.9	13.3
øF	17.5	21.5
øG	2.5-3	3.5-5
H	9.5-11.5	14.5-15.5
øJ	2.5-5	3.5-6
Y	G1/8	G1/4

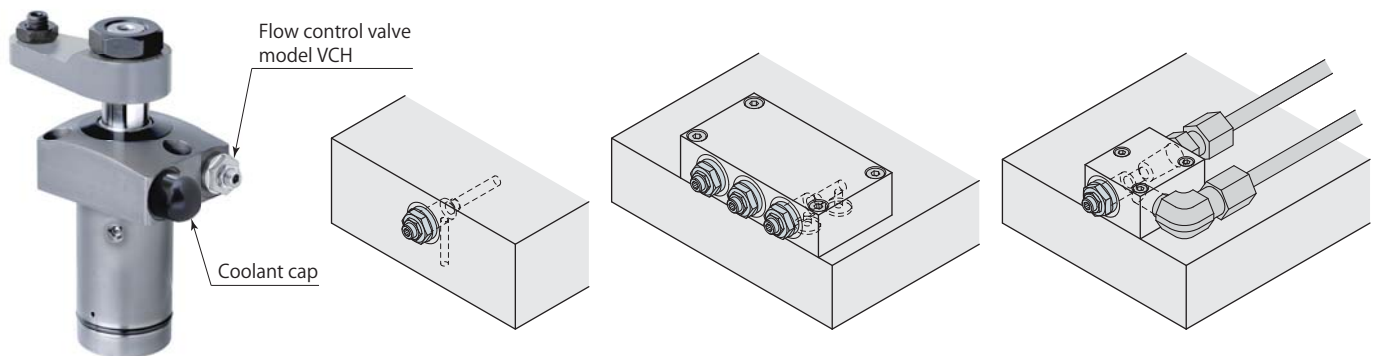
\*: Concentricity is required when machining øD and Y-portion thread. Misalignment or machining defect may cause the trouble of installation and adjusting flow rate.

### Mounting & dismounting of flow control valve, air bleeding valve

- When mounting or dismounting a flow control valve or air bleeding valve, be sure to set pressure within hydraulic circuit to 0 MPa before starting.
- When mounting a flow control valve or air bleeding valve, be sure to tighten it with the recommended tightening torque.
- When mounting a coolant cap (resin:POM), firmly press the body of cover. If it is not mounting properly, use a plastic mallet to tap it into place.
- When dismounting a coolant cap, use a sharp-pointed tool such as a precision screw driver by hooking the notched portion.



### Mounting example



Cylinder mounting

Pallet mounting

Block mounting ①

Block mounting ②