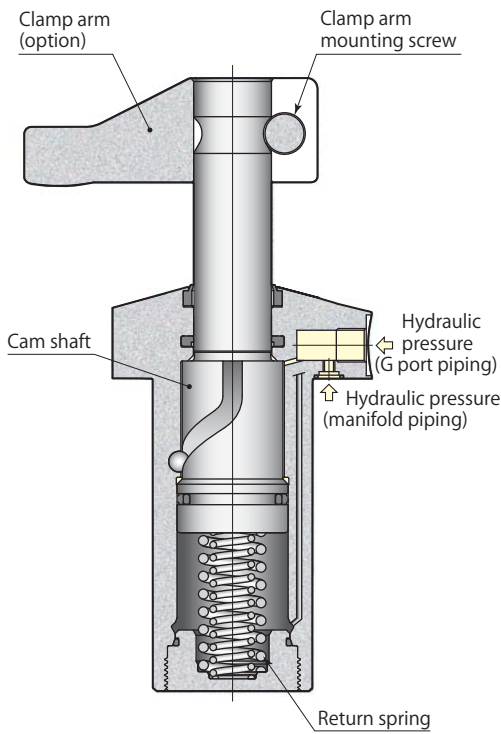
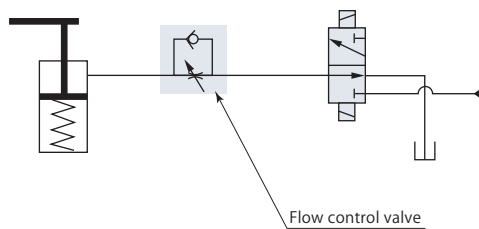


Upper flange

model CTV□U-□



Hydraulic circuit diagram



Use flow control valve for meter-in control.
Flow control valve model VCH can not be mounted.

- Specifications page → 66
- Upper flange page → 68
- Lower flange page → 72
- Swing angle 30°, 45°, 60° page → 76

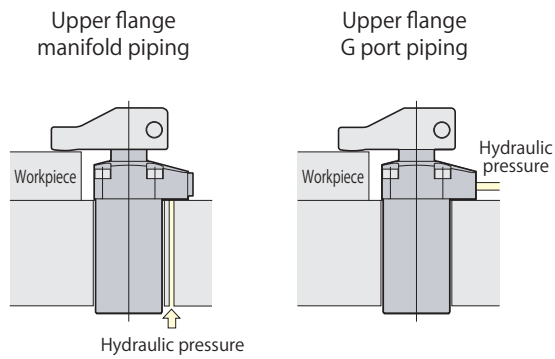
Specifications

Size	Mounting and piping types	Swing direction (when clamping), swing angle
CTV	U : Upper flange B : Lower flange	L : Counter-clockwise, swing angle 90°
		LN30 : Counter-clockwise, swing angle 30°
		LN45 : Counter-clockwise, swing angle 45°
		LN60 : Counter-clockwise, swing angle 60°
		R : Clockwise, swing angle 90°
		RN30 : Clockwise, swing angle 30°
		RN45 : Clockwise, swing angle 45°
		RN60 : Clockwise, swing angle 60°
		C : Straight, swing angle 0°

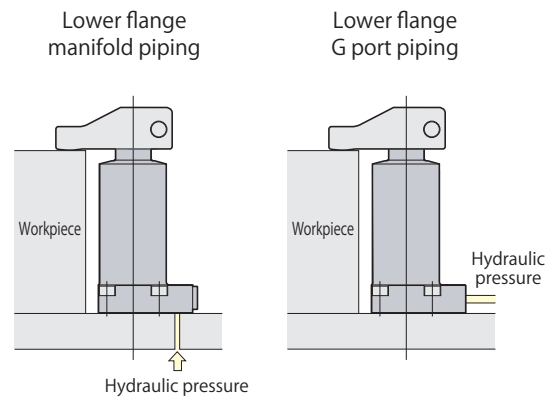
■ indicates made to order.

Mounting and piping types

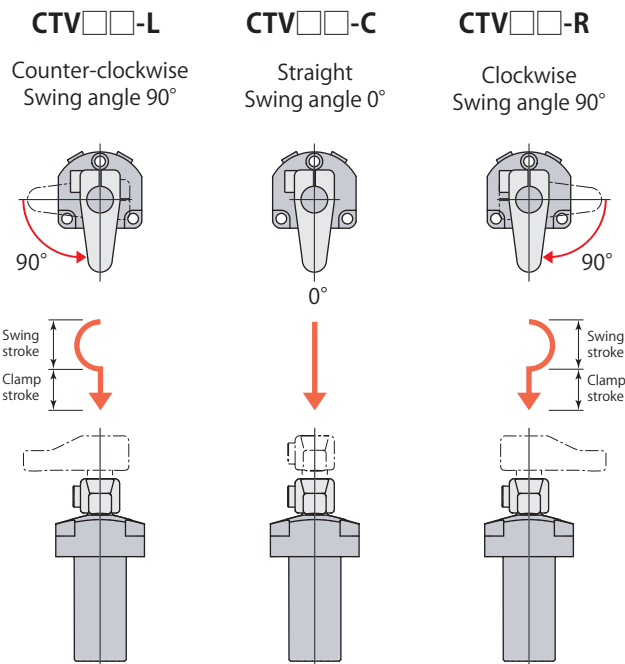
CTV□U-□



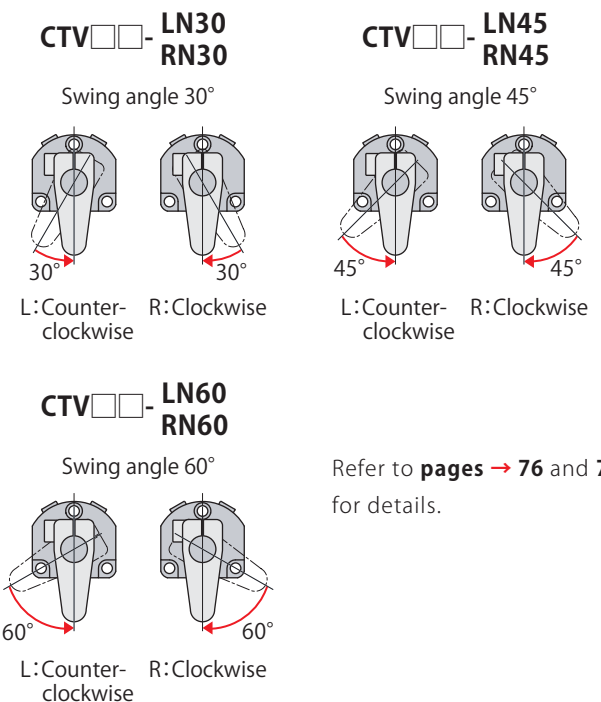
CTV□B-□



Swing direction (when clamping)



Swing angle



Refer to pages → 76 and 77 for details.

Specifications

Model			CTV06	CTV10	CTV16	CTV25
Cylinder force (hydraulic pressure 35MPa)*1		kN	6.0	13.7	18.4	25.1
Clamping force*1*2	Hydraulic pressure 35MPa	kN	5.2	11.8	15.9	21.8
	Hydraulic pressure 25MPa	kN	3.6	8.3	11.1	15.3
	Hydraulic pressure 15MPa	kN	2.1	4.7	6.4	8.8
Standard clamp arm length		mm	40	50	57	65
Cylinder inner diameter		mm	22	32	40	44.5
Rod diameter		mm	16	22.4	30	32
Effective area (clamp)		cm ²	1.79	4.10	5.50	7.51
Swing angle	CTV□□-L, R		90° ± 3°			
	CTV□□-C		0°			
Repeated clamp positioning accuracy			±0.5°			
Full stroke		mm	22	28	32	40
90° swing stroke (CTV□□-L, R)		mm	12	15	18	24
Clamp stroke (CTV□□-L, R)		mm	10	13	14	16
Max. swing torque*3		N·m	0.35	0.97	1.51	2.10
Max. oil flow rate		L/min	0.43	1.23	1.48	2.70
Cylinder capacity		cm ³	3.9	11.5	17.6	30.0
Recommended tightening torque of mounting screws*4		N·m	12	29	29	29

● Pressure range: 3.5–35 MPa ● Proof pressure: 52.5 MPa ● Operating temperature: 0–70 °C

● Fluid used: General mineral based hydraulic oil (ISO-VG32 equivalent)

● Seals are resistant to chlorine-based cutting fluid. (not thermal resistant specification)

*1: This is value for central position of clamp stroke.

*2: Clamping force at time standard clamp arm is mounted (refer to section on W1, W2 series on [page → 78](#)).

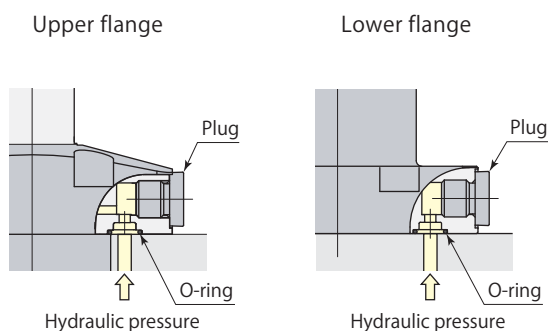
Clamping force varies depending on clamp arm length. Refer to performance table ([page → 67](#)) for details.

*3: This is the limit value for lifting arm at 3.5 MPa when mounted vertically.

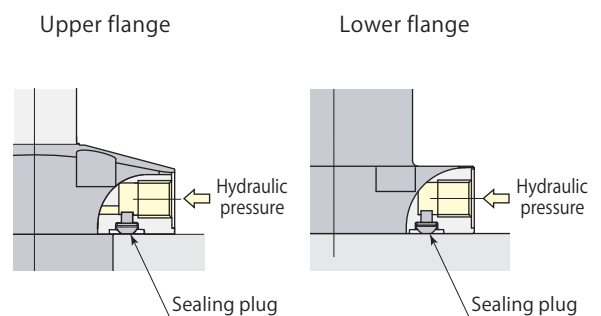
*4: ISO R898 class 12.9

Manifold piping and G port piping are available.Manifold piping

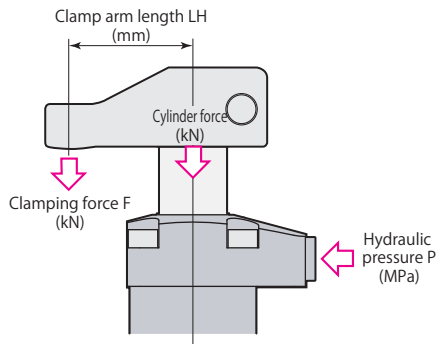
Remove sealing plug when using manifold piping. An air bleeding valve (model VCE) is mountable on the G port of the clamp.

G port piping

Remove plug and O-ring when choosing G port piping. The flow control valve and the air bleeding valve should be installed in the middle of oil path.



Performance table



Clamping force varies depending on the clamp arm length (LH) and hydraulic pressure (P).

Clamping force calculation formula

$$F = (P - \text{Coefficient 1}) / (\text{Coefficient 2} + \text{Coefficient 3} \times LH)$$

F: Clamping force P: Hydraulic pressure LH: Clamp arm length

CTV10 with clamp arm length (LH) = 60 mm at hydraulic pressure of 20 MPa, Clamping force F is calculated by
 $(20 - 1.65) / (2.44 + 0.00773 \times 60) = 6.3 \text{ kN}$

Do not use the clamp in the nonusable range. It may cause damage to the cylinder and rod.

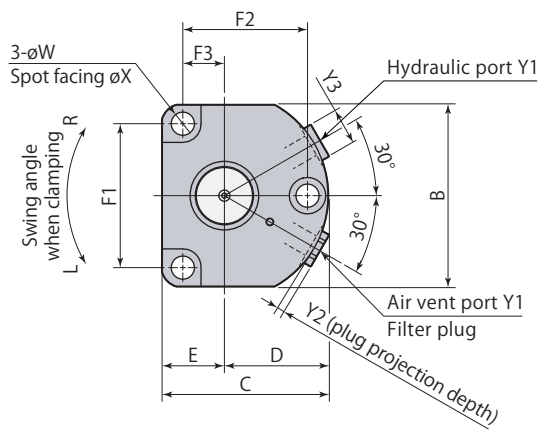
model CTV06		Clamping force $F = (P - 1.43) / (5.58 + 0.0224 \times LH)$					
Hydraulic pressure MPa	Cylinder force kN	Clamping force kN					Max. arm length Max. LH mm
		Clamp arm length LH mm					
		40	60	80	100	120	
35	6.0	5.2					44
30	5.1	4.4					54
25	4.2	3.6	3.4	Nonusable range			68
20	3.3	2.9	2.7	2.5			93
15	2.4	2.1	2.0	1.8	1.7	1.6	148
10	1.5	1.3	1.2	1.2	1.1	1.0	200
5	0.6	0.6	0.5	0.5	0.5	0.4	↑
3.5	0.4	0.3	0.3	0.3	0.3	0.3	200

model CTV10		Clamping force $F = (P - 1.65) / (2.44 + 0.00773 \times LH)$					
Hydraulic pressure MPa	Cylinder force kN	Clamping force kN					Max. arm length Max. LH mm
		Clamp arm length LH mm					
		50	60	80	100	120	
35	13.7	11.8					55
30	11.6	10.0	9.8	Nonusable range			66
25	9.6	8.3	8.0	7.6			84
20	7.5	6.5	6.3	6.0	5.7		115
15	5.5	4.7	4.6	4.4	4.2	4.0	184
10	3.4	3.0	2.9	2.7	2.6	2.5	240
5	1.4	1.2	1.2	1.1	1.0	1.0	↑
3.5	0.8	0.7	0.6	0.6	0.6	0.5	240

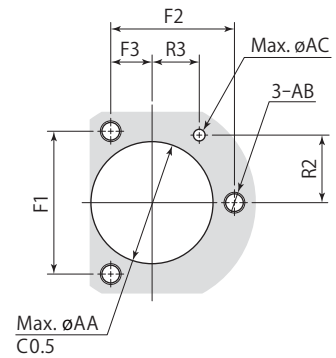
model CTV16		Clamping force $F = (P - 1.55) / (1.82 + 0.00506 \times LH)$					
Hydraulic pressure MPa	Cylinder force kN	Clamping force kN					Max. arm length Max. LH mm
		Clamp arm length LH mm					
		57	80	100	120	140	
35	18.4	15.9					57
30	15.6	13.5					66
25	12.9	11.1	10.5	Nonusable range			83
20	10.1	8.8	8.3	7.9			113
15	7.4	6.4	6.0	5.8	5.5	5.3	175
10	4.6	4.0	3.8	3.6	3.5	3.3	255
5	1.9	1.6	1.6	1.5	1.4	1.4	↑
3.5	1.1	0.9	0.9	0.8	0.8	0.8	255

model CTV25		Clamping force $F = (P - 1.59) / (1.33 + 0.00310 \times LH)$					
Hydraulic pressure MPa	Cylinder force kN	Clamping force kN					Max. arm length Max. LH mm
		Clamp arm length LH mm					
		65	80	100	120	140	
35	25.1	21.8					65
30	21.4	18.6					77
25	17.6	15.3	14.8	Nonusable range			97
20	13.8	12.0	11.7	11.2	10.8		131
15	10.1	8.8	8.5	8.2	7.9	7.6	203
10	6.3	5.5	5.3	5.1	4.9	4.8	270
5	2.6	2.2	2.2	2.1	2.0	1.9	↑
3.5	1.4	1.2	1.2	1.2	1.1	1.1	270

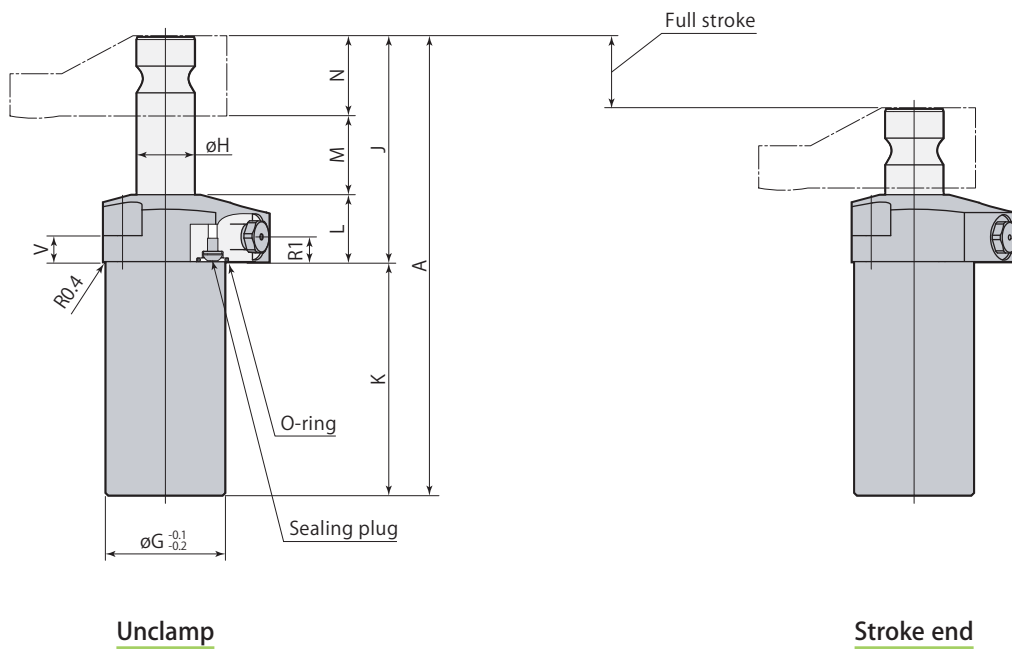
Dimensions



Mounting details

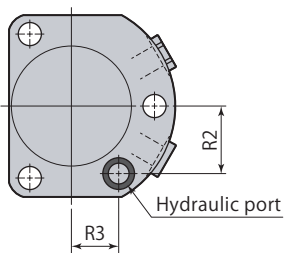


The mounting surface finish must be no rougher than Rz6.3 (ISO4287:1997) for manifold piping.



Unclamp

Stroke end



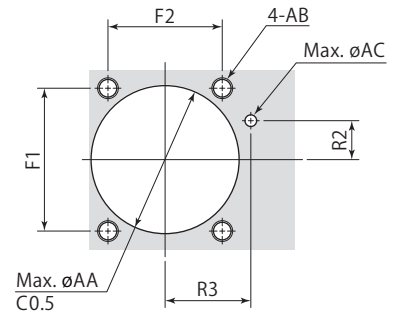
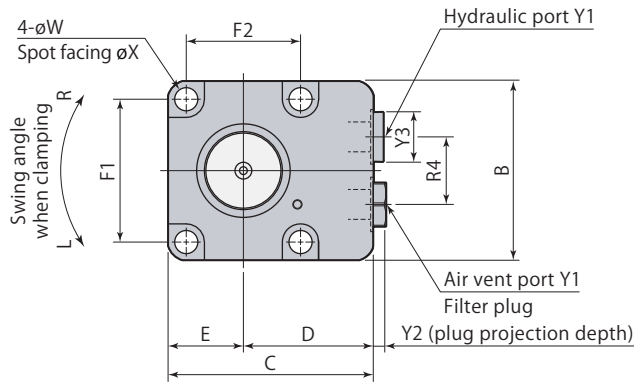
Model	CTV06U-□	CTV10U-□
A	137	176.5
B	56	70
C	50.5	64
D	32.5	40
E	18	24
F1	43.3	55
F2	37.5	47.5
F3	12.5	15.9
øG	33	46
øH	16	22.4
J	71	86.5
K	66	90
L	26	26
M	24	30.5
N	21	30
R1	9.5	9.5
R2	20.5	26
R3	14.3	18.2
V	13	10
øW	7	8.9
øX	11	14
Y1	G1/8	G1/8
Y2	2.8	2.8
Y3	14	14
O-ring (fluorocarbon hardness Hs90)	P9	P9
øAA	34	47
AB	M6	M8
øAC	7	7
Mass	0.8 kg	1.6 kg
Air bleeding valve	VCE01	VCE01

Refer to each page for the details of options.

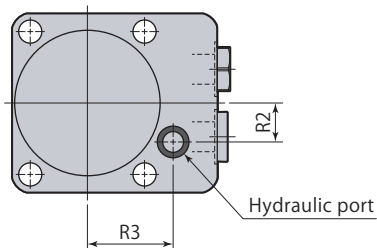
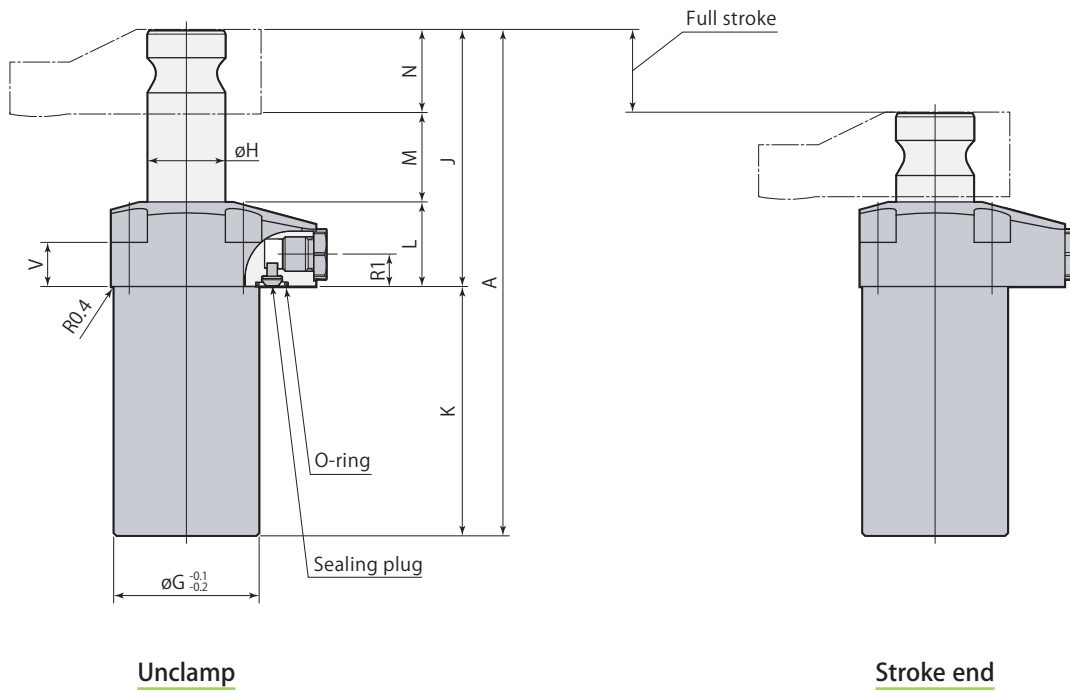
- Clamp arm **page → 78** ● Air bleeding valve **page → 46**
- Clamp arm and mounting screws are not included.
- Air vent must be opened to atmosphere. Provide the piping if there is a risk of coolant or metal chips intrusion.
- CTV□U-C (Straight, swing angle 0°) is made to order.

Dimensions

Mounting details



The mounting surface finish must be no rougher than Rz6.3 (ISO4287:1997) for manifold piping.

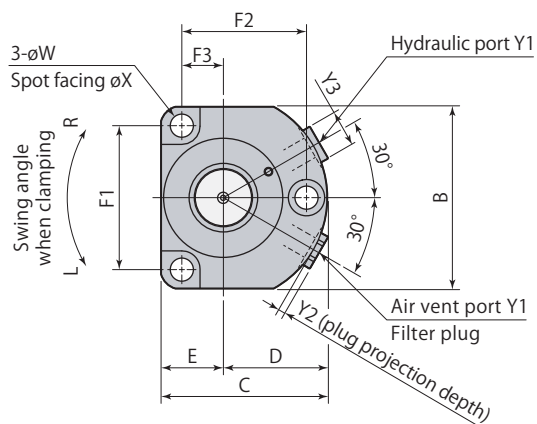


Model	CTV16U-□	CTV25U-□
A	195	226
B	69	69
C	79	87.5
D	50	53
E	29	34.5
F1	55	55
F2	44	55
øG	56	61.5
øH	30	32
J	99	110
K	96	116
L	32	32.5
M	35	42.5
N	32	35
R1	12.5	12.5
R2	15	15
R3	33	36
R4	26	26
V	17	17
øW	8.9	8.9
øX	14	14
Y1	G1/4	G1/4
Y2	4.3	4.3
Y3	19	19
O-ring (fluorocarbon hardness Hs90)	P9	P9
øAA	57	62.5
AB	M8	M8
øAC	7	7
Mass	2.6 kg	3.4 kg
Air bleeding valve	VCE02	VCE02

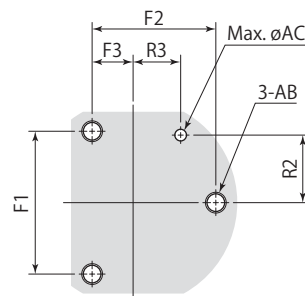
Refer to each page for the details of options.

- Clamp arm **page → 78** ● Air bleeding valve **page → 46**
- Clamp arm and mounting screws are not included.
- Air vent must be opened to atmosphere. Provide the piping if there is a risk of coolant or metal chips intrusion.
- CTV□U-C (Straight, swing angle 0°) is made to order.

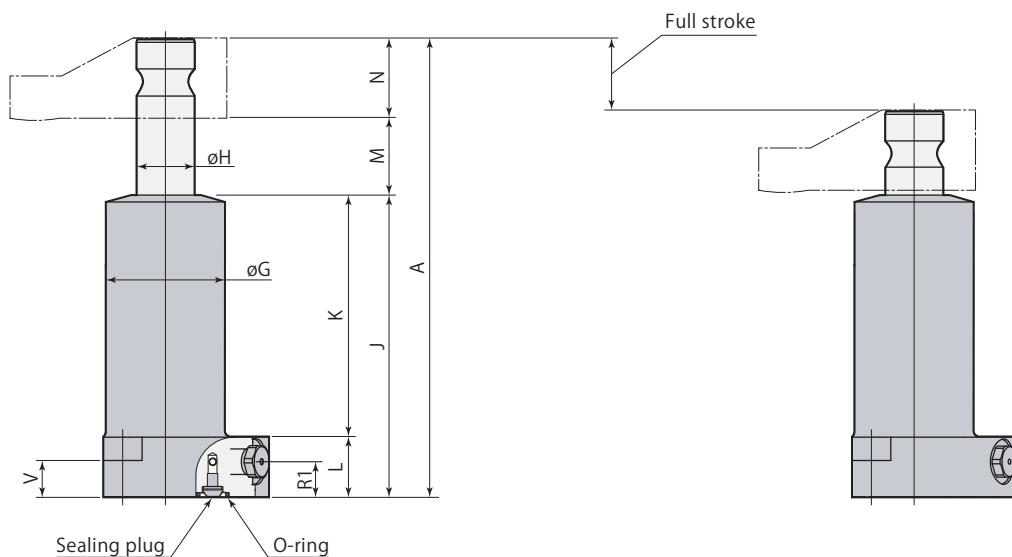
Dimensions



Mounting details

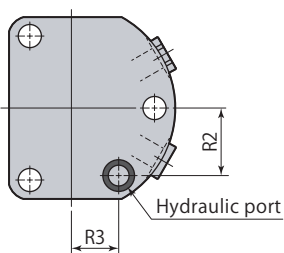


The mounting surface finish must be no rougher than Rz6.3 (ISO4287:1997) for manifold piping.



Unclamp

Stroke end

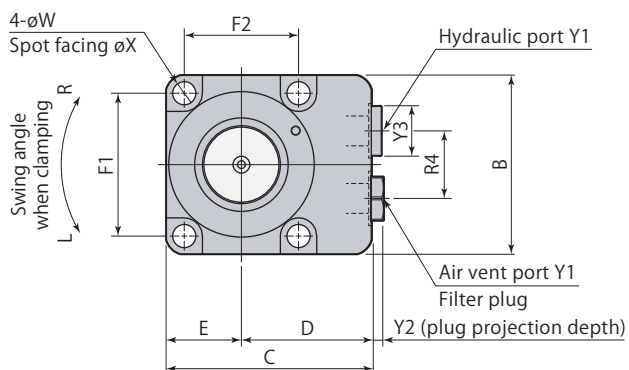


Model	CTV06B-□	CTV10B-□
A	137	176.5
B	56	70
C	50.5	64
D	32.5	40
E	18	24
F1	43.3	55
F2	37.5	47.6
F3	12.5	15.9
øG	35	46
øH	16	22.4
J	92	116
K	69	93
L	23	23
M	24	30.5
N	21	30
R1	13.5	13.5
R2	20.5	26
R3	14.3	18.2
V	16	14
øW	7	8.9
øX	11	14
Y1	G1/8	G1/8
Y2	2.8	2.8
Y3	14	14
O-ring (fluorocarbon hardness Hs90)	P9	P9
AB	M6	M8
øAC	7	7
Mass	0.8 kg	1.7 kg
Air bleeding valve	VCE01	VCE01

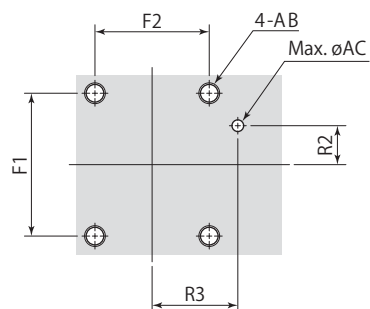
Refer to each page for the details of options.

- Clamp arm **page → 78**
- Air bleeding valve **page → 46**
- Clamp arm and mounting screws are not included.
- Air vent must be opened to atmosphere. Provide the piping if there is a risk of coolant or metal chips intrusion.
- CTV□B-C (Straight, swing angle 0°) is made to order.

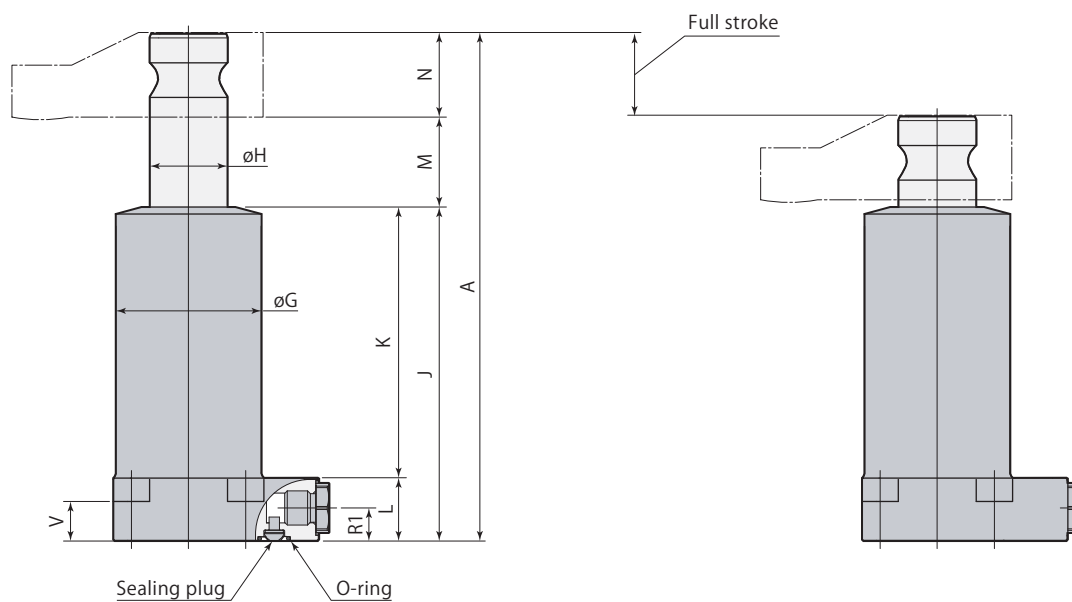
Dimensions



Mounting details

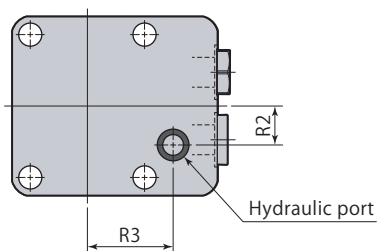


The mounting surface finish must be no rougher than Rz6.3 (ISO4287:1997) for manifold piping.



Unclamp

Stroke end



Model	CTV16B-□	CTV25B-□
A	195	226
B	69	69
C	79	87.5
D	50	53
E	29	34.5
F1	55	55
F2	44	55
øG	56	61.5
øH	30	32
J	128	148.5
K	104	124.5
L	24	24
M	35	42.5
N	32	35
R1	12.5	12.5
R2	15	15
R3	33	36
R4	26	26
V	15	15
øW	8.9	8.9
øX	14	14
Y1	G1/4	G1/4
Y2	4.3	4.3
Y3	19	19
O-ring (fluorocarbon hardness Hs90)	P9	P9
AB	M8	M8
øAC	7	7
Mass	2.7 kg	3.5 kg
Air bleeding valve	VCE02	VCE02

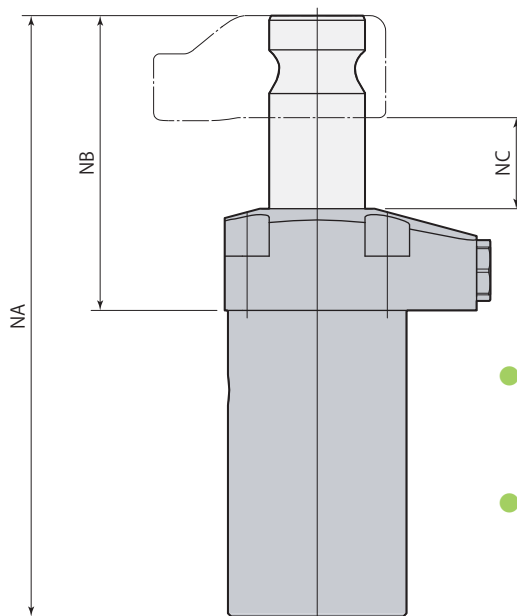
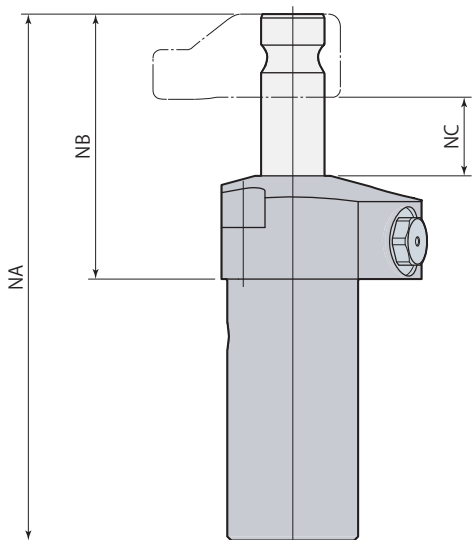
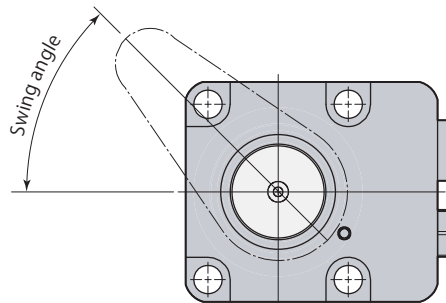
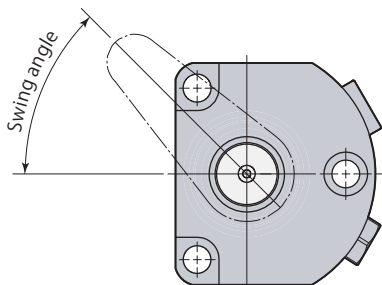
Refer to each page for the details of options.

- Clamp arm **page → 78** ● Air bleeding valve **page → 46**
- Clamp arm and mounting screws are not included.
- Air vent must be opened to atmosphere. Provide the piping if there is a risk of coolant or metal chips intrusion.
- CTV□B-C (Straight, swing angle 0°) is made to order.

Dimensions

CTV06, 10 U-□
N30, N45, N60

CTV16, 25 U-□
N30, N45, N60



- This diagram indicates unclamped condition of swing direction L (counter-clockwise).
- Refer to **pages** → 68 to 71 for other specifications and dimensions that are not shown in the diagram.
- This product is made to order.

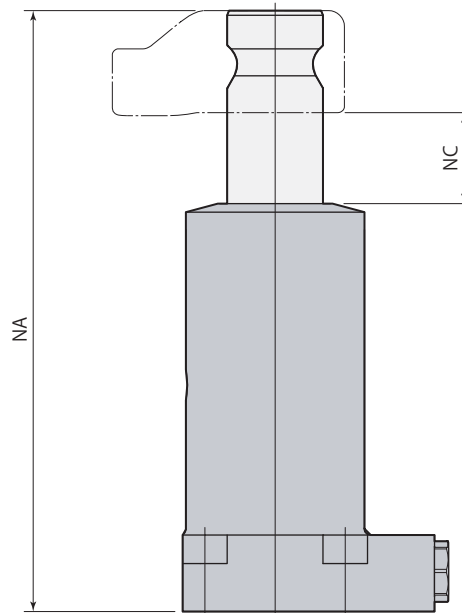
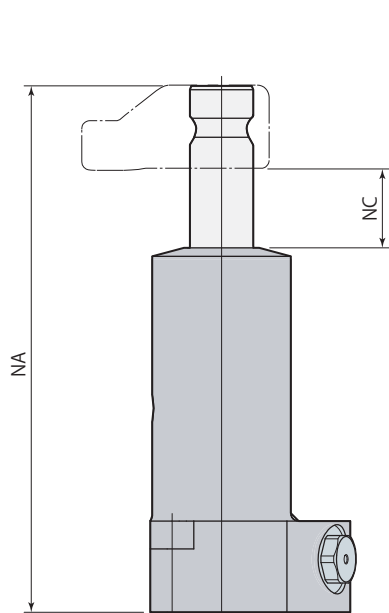
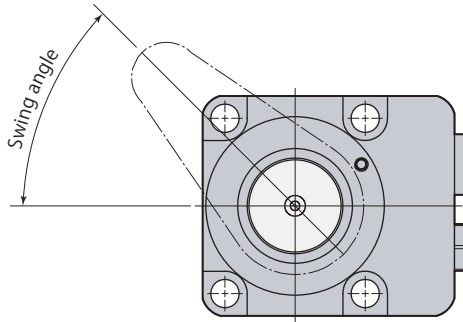
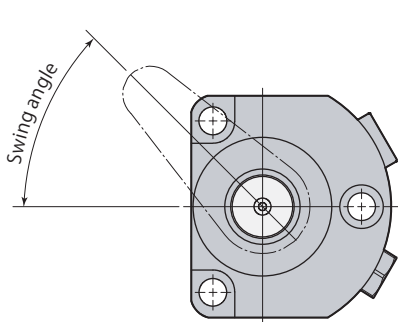
mm

Model	CTV06U-□N□			CTV10U-□N□			CTV16U-□N□			CTV25U-□N□		
Swing angle	30°±5°	45°±5°	60°±5°	30°±5°	45°±5°	60°±5°	30°±5°	45°±5°	60°±5°	30°±5°	45°±5°	60°±5°
Full stroke	16.5	17.9	19.3	20.7	22.5	24.3	23.3	25.5	27.6	28.0	31.0	34.0
Swing stroke	6.5	7.9	9.3	7.7	9.5	11.3	9.3	11.5	13.6	12.0	15.0	18.0
Clamp stroke	10			13			14			16		
Cylinder capacity (cm ³)	3.0	3.2	3.5	8.5	9.2	10.0	12.8	14.0	15.2	21.0	23.3	25.5
NA	131.5	132.9	134.3	169.2	171.0	172.8	186.3	188.5	190.6	214.0	217.0	220.0
NB	65.5	66.9	68.3	79.2	81.0	82.8	90.3	92.5	94.6	98.0	101.0	104.0
NC	18.5	19.9	21.3	23.2	25.0	26.8	26.3	28.5	30.6	30.5	33.5	36.5

Dimensions

CTV06, 10 B-□
N30, N45, N60

CTV16, 25 B-□
N30, N45, N60



- This diagram indicates unclamped condition of swing direction L (counter-clockwise).
- Refer to **pages → 72 to 75** for other specifications and dimensions that are not shown in the diagram.
- This product is made to order.

mm

Model	CTV06B-□N□			CTV10B-□N□			CTV16B-□N□			CTV25B-□N□		
Swing angle	30°±5°	45°±5°	60°±5°	30°±5°	45°±5°	60°±5°	30°±5°	45°±5°	60°±5°	30°±5°	45°±5°	60°±5°
Full stroke	16.5	17.9	19.3	20.7	22.5	24.3	23.3	25.5	27.6	28.0	31.0	34.0
Swing stroke	6.5	7.9	9.3	7.7	9.5	11.3	9.3	11.5	13.6	12.0	15.0	18.0
Clamp stroke	10			13			14			16		
Cylinder capacity (cm ³)	3.0	3.2	3.5	8.5	9.2	10.0	12.8	14.0	15.2	21.0	23.3	25.5
NA	131.5	132.9	134.3	169.2	171.0	172.8	186.3	188.5	190.6	214.0	217.0	220.0
NC	18.5	19.9	21.3	23.2	25.0	26.8	26.3	28.5	30.6	30.5	33.5	36.5