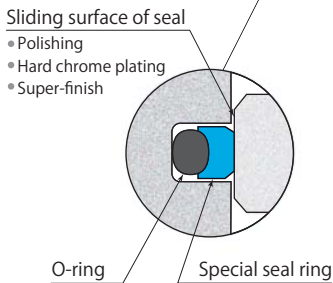
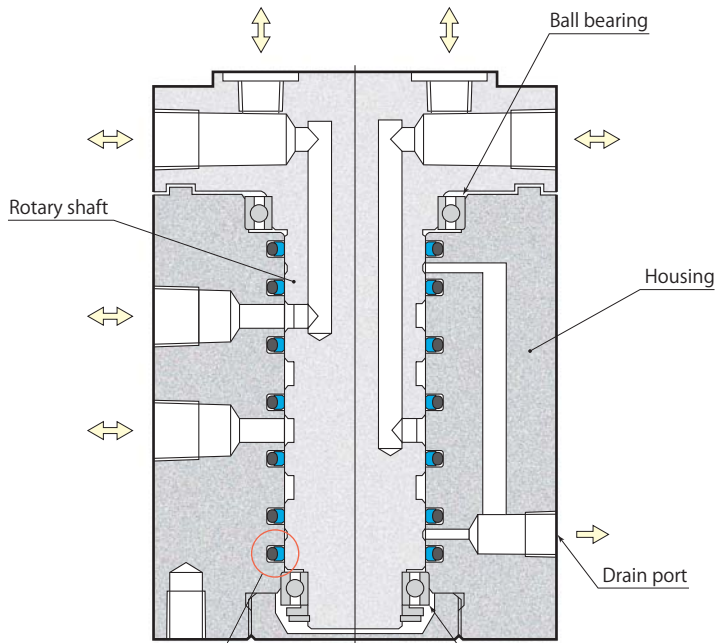


Single rotary standard 25MPa

model WRA □



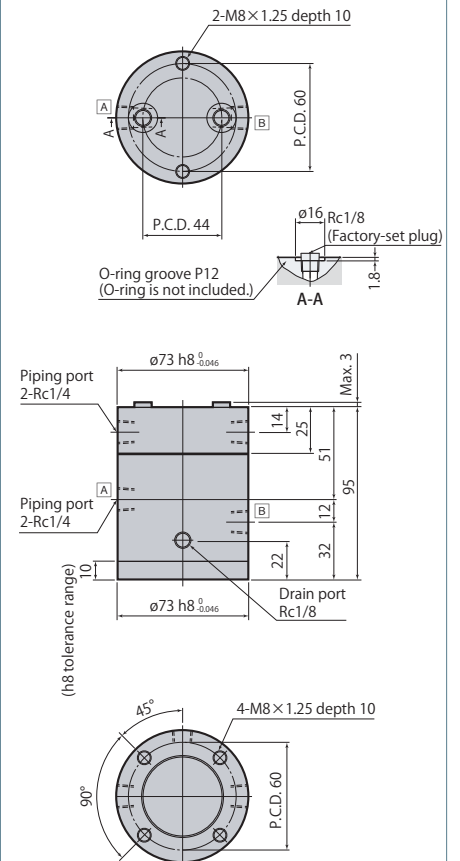
Sliding surface is polished, hard chrome plated and then super-finished to offer superior seal performance and durability.

Rotary joints are best suited for supplying hydraulic pressure and air to rotary table of machining center on which use of secured hydraulic hoses or fixed piping is difficult.

Four types are available with 2 to 8 circuits, and each circuit can be used independently.

2 circuits

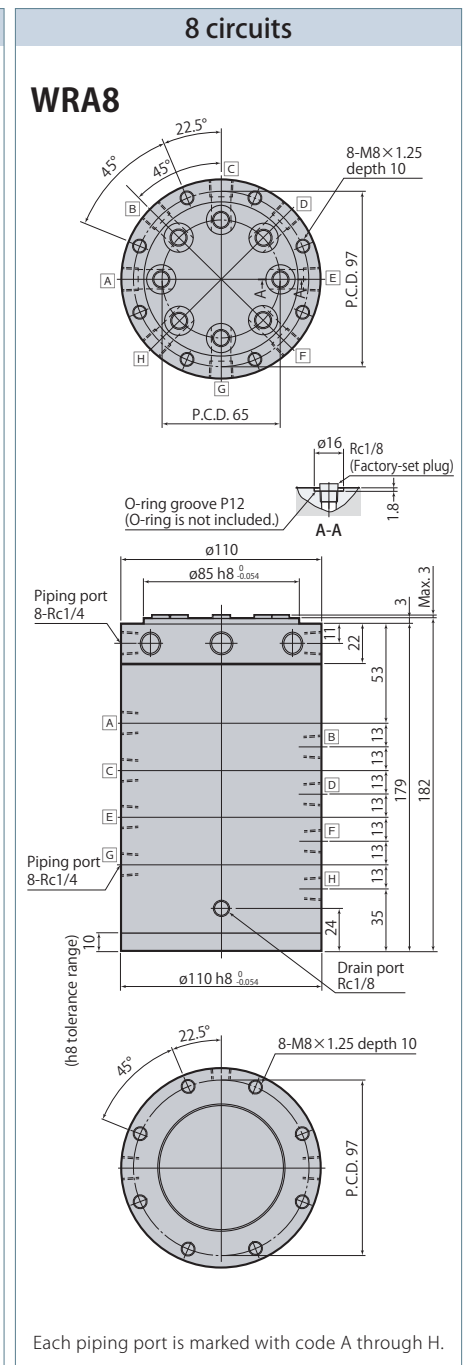
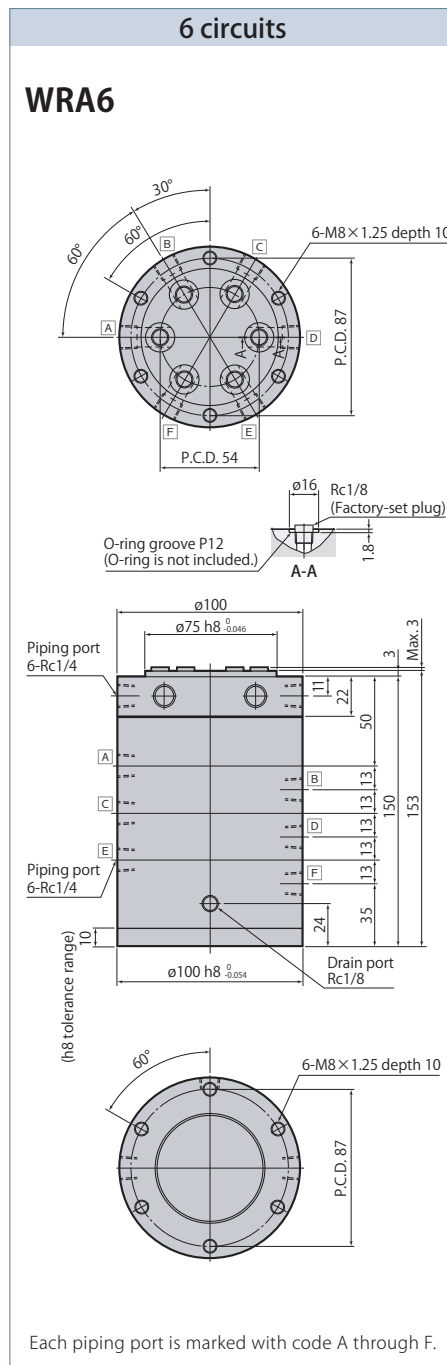
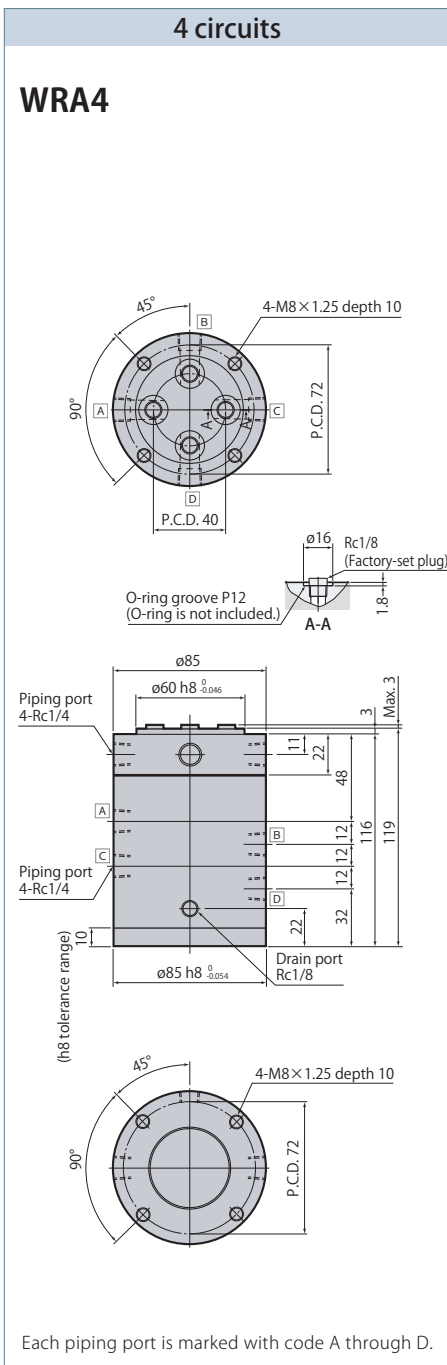
WRA2



Each piping port is marked with code A or B.

Specifications

Model	WRA2	WRA4	WRA6	WRA8
Number of circuits	2 circuits	4 circuits	6 circuits	8 circuits
Orifice area mm ²	20.4			
Fluid used	General mineral based hydraulic oil (ISO-VG32 equivalent) or air			
Max. pressure MPa	25			
Allowable rotations	Varies depending on fluid pressure (refer to page → 216 for details on allowable rotations.)			
Operating temperature °C	0–70			
Piping port size	Rc1/4 (body upper surface is Rc1/8)			
Mass kg	3.0	5.0	8.9	12.9



● Mounting screws are not included.