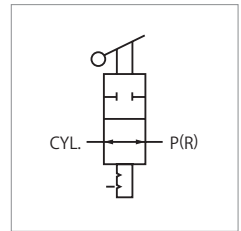
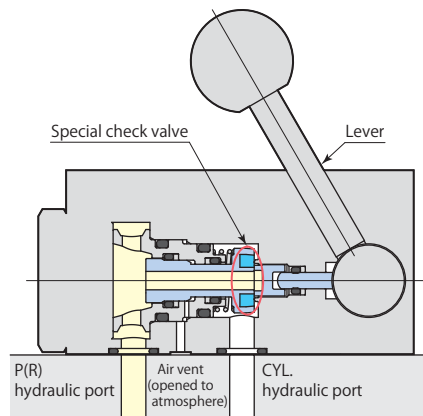


VHB-L □**2-way valve****7MPa**2-way valve model **VHB**

Activates work clamps in one circuit individually by manual handling.

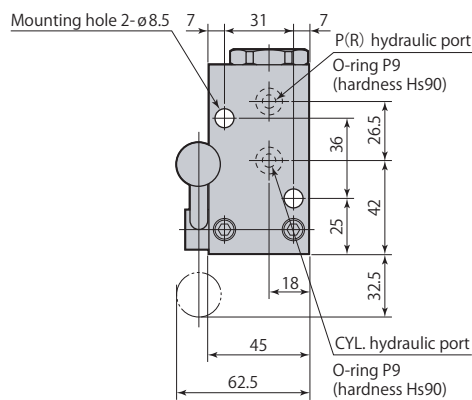
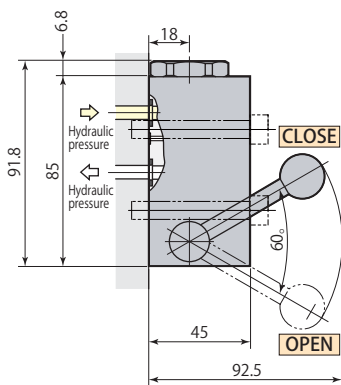
Specifications

Model		VHB-LG	VHB-LT
Mounting, piping methods		Manifold mounting	Piping mounting
Pressure range	MPa		2-7
Proof pressure	MPa		10.5
Orifice area	mm ²		15.9
Operating temperature	°C		0-70
Fluid used		General mineral based hydraulic oil (ISO-VG32 equivalent)	
Mass	kg		1.2

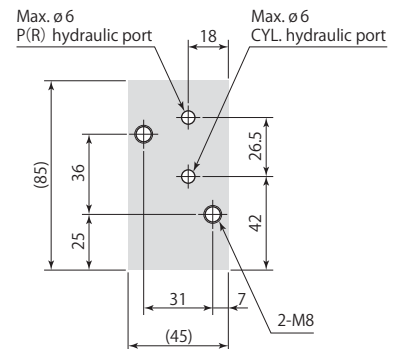
- There is also a type that adopts fluorocarbon for seal sections where cutting fluid is applied, as a measure for the use of chlorine-based cutting fluid (this is not thermal resistant specification. Model designation VHB-L□-V).

Dimensions

VHB-LG Manifold mounting *No internal filter

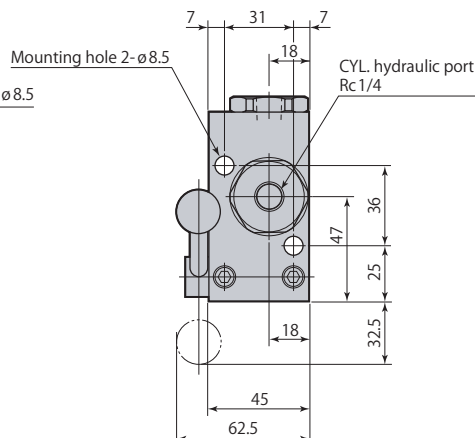
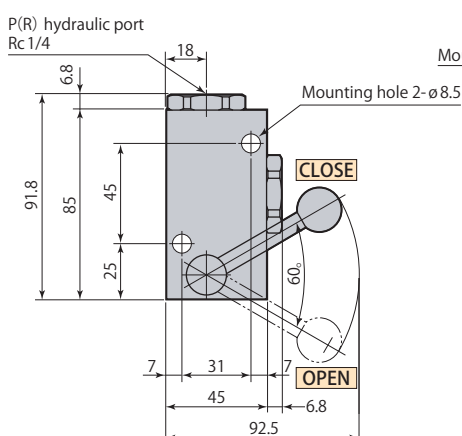


Mounting details



For manifold piping, the mounting surface finish must be no rougher than Rz6.3 (ISO4287:1997).

VHB-LT Piping mounting *With internal filter (P & CYL. hydraulic ports)



- Mounting screws are not included.