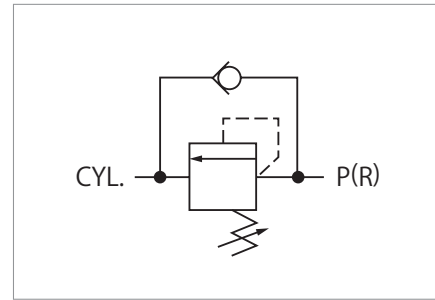


Sequence valve model **VEF**

Clamps are sequentially operated through same circuit.

Specifications

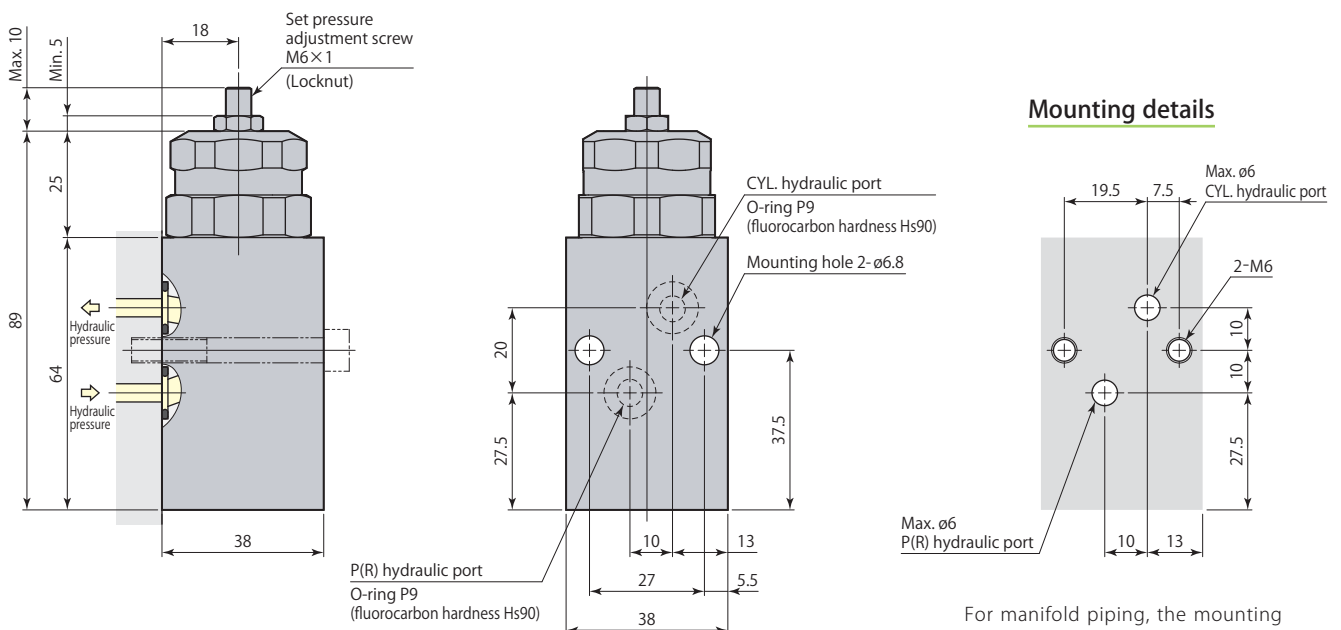
Model		VEF-LG	VEF-LT
Mounting, piping methods		Manifold mounting	Piping mounting
Pressure range	MPa	2-30	
Allowable min. differential pressure*	MPa	1	
Set hydraulic pressure range	MPa	1-6	
Proof pressure	MPa	37.5	
Cracking pressure	MPa	0.01	
Pressure change per revolution	MPa/rev	1	
Orifice area	mm ²	P → CYL. 7.1	CYL. → R 28.3
Operating temperature	°C	0-70	
Fluid used		General mineral based hydraulic oil (ISO-VG32 equivalent)	
Mass	kg	0.8	1.0

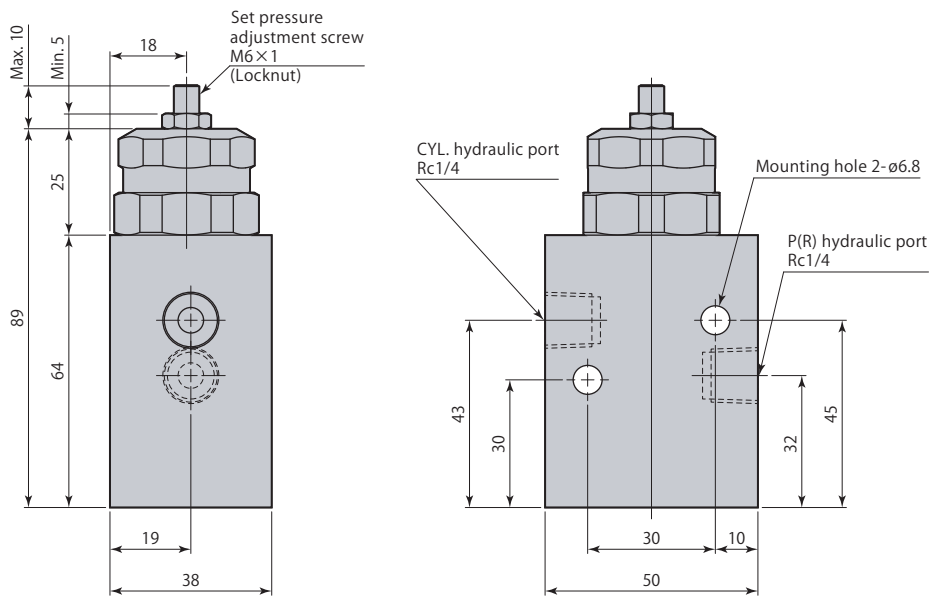
● Fluorocarbon has been adopted for seal sections where cutting fluid is applied, as a measure for the use of chlorine-based cutting fluid (this is not thermal resistant specification).

*: The setting should be performed so that the differential pressure between working pressure and set hydraulic pressure may exceed 1 MPa. (Example: If working pressure is 5 MPa, set hydraulic pressure should be from 1 to 4 MPa.)

Dimensions

VEF-LG Manifold mounting *With internal filter (P & CYL. hydraulic ports)



Dimensions**VEF-LT** Piping mounting *With internal filter (P & CYL. hydraulic ports)

- The sequence valve may open by lower pressure than the set value when a large volume of oil flow is applied. It is due to the surge pressure caused by an oil hammer phenomenon. Use VEF with a flow control valve installing at primary side to adjust the flow rate.
- The sequence effect may not be achievable due to a back pressure in case the hydraulic circuit would be built by meter-out control or would generate pipe resistance.
- Mounting screws are not included.