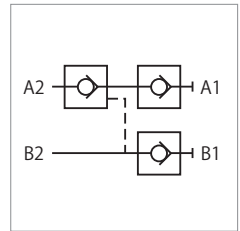
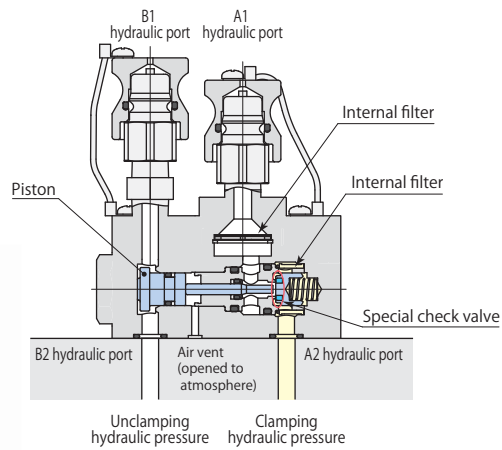




Coupling valve model VCB



This is a non-leak valve, with which coupling of double acting clamp can be performed easily and clamping circuit pressure can be retained over a long period of time after disengagement of hydraulic pressure source.

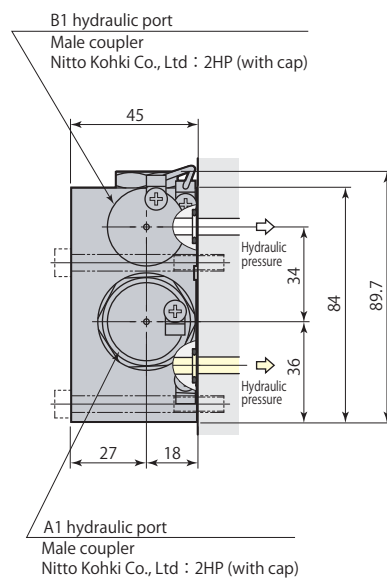
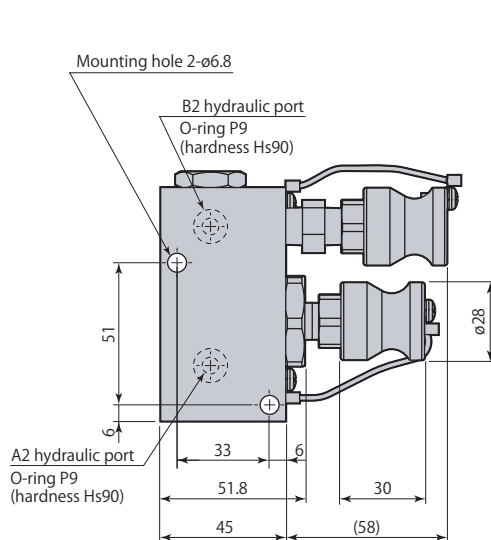
Specifications

Model	VCB-LGB	VCB-LGS	VCB-LT
Mounting, piping methods	Manifold, GB mounting	Manifold, GS mounting	Piping mounting
Pressure range	MPa	2-7	
Proof pressure	MPa	10.5	
Min. pilot pressure (open valve)	MPa	0.3 + 0.23 × secondary side pressure	
Orifice area	mm ²	14.2	
Operating temperature	°C	0-70	
Fluid used	General mineral based hydraulic oil (ISO-VG32 equivalent)		
Mass	kg	1.4	

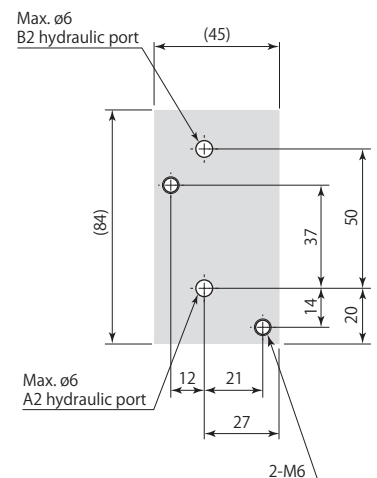
- There is also a type that adopts fluorocarbon for seal sections where cutting fluid is applied, as a measure for the use of chlorine-based cutting fluid (this is not thermal resistant specification. Model designation VCB-□□-V).

Dimensions

VCB-LGB Manifold, GB mounting *With internal filter (A1 & A2 hydraulic ports)



Mounting details



For manifold piping, the mounting surface finish must be no rougher than Rz6.3 (ISO4287:1997).

