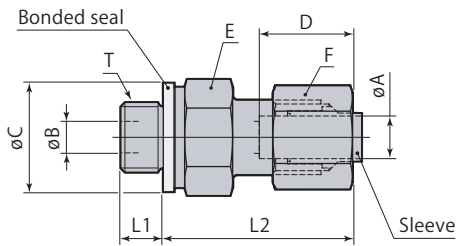


Parallel thread connector



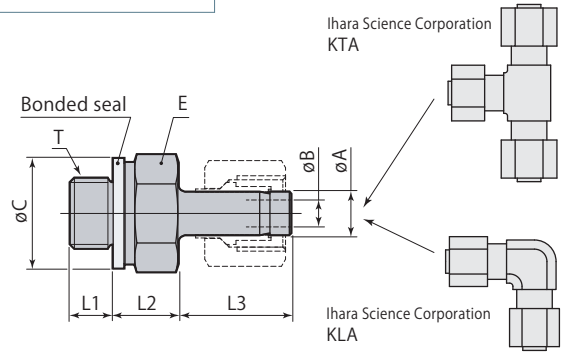
mm

Model	Applicable pipe outer diameter øA	T	øB	øC	D	Width across flats		L1	L2				
						E	F						
8FKCO06010	6	G1/8	4	17	17.5	14	14	6	32.5				
8FKCO08010	8					17	17	6	32.5				
8FKCO08020	8					G1/4	6	20.5	17.5	19	17	10	33.5
8FKCO10020	10	19	19	10	34.5								
8FKCO10030	10	G3/8	8	24	18.5								
8FKCO12030	12					8	24	18.5	22	22	10	35.5	

Parallel thread adaptor



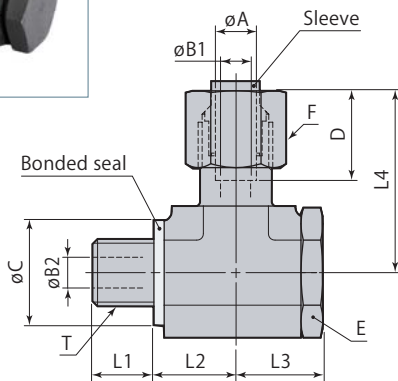
Use NE bite type tube fitting from Ihara Science Corporation on opposite side.



mm

Model	Applicable pipe outer diameter øA	T	øB	øC	Width across flats E	L1	L2	L3
8FKHB08020	8	G1/4	5	20.5	19	10	10	21
8FKHB10020	10		6	20.5	19	10	10	22
8FKHB10030	10		G3/8	6	24	22	10	11
8FKHB12030	12	8		24	22	10	11.5	22.5

Stud elbow



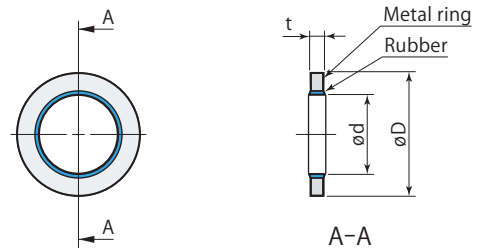
mm

Model	Applicable pipe outer diameter øA	T	øB1	øB2	øC	D	Width across flats		L1	L2	L3	L4										
							E	F														
8FKMB06010	6	G1/8	4	4	17	17.5	17	14	8	13	14	33.5										
8FKMB08020	8	G1/4	6	7	20.5	17.5	22	17	12	16	17	35.5										
8FKMB10020	10												8	7	20.5	18.5	22	19	12	16	17	36.5
8FKMB12030	12												G3/8	10	9	24	18.5	27	22	12	19	22

Bonded seal (spare parts)



Standard material is NBR for rubber and SPCC (cold roll steel) for metal ring. A bonded seal is usually supplied with a fitting however Pascal sells it alone as a service part.



mm

Model	Applicable thread	ød	øD	t
8FKP-C-010	G1/8	9.9	17	2
8FKP-C-020	G1/4	13.3	20.5	2
8FKP-C-030	G3/8	16.8	24	2

- Use a bonded seal to seal flange surface where a fitting will be fitted (do not use O-ring type G thread fitting).
- Use the sleeve KKO from Ihara Science Corporation for the sleeve of fitting.